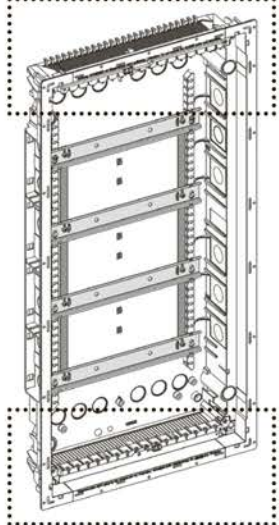
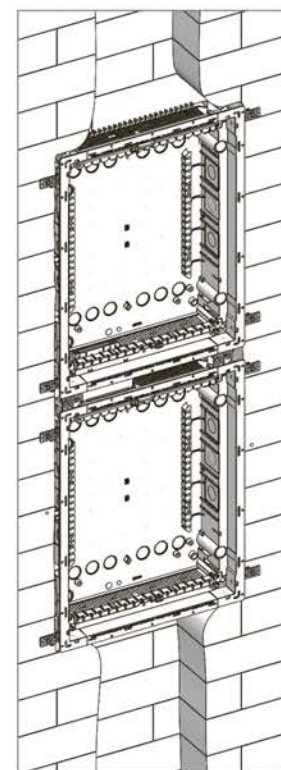
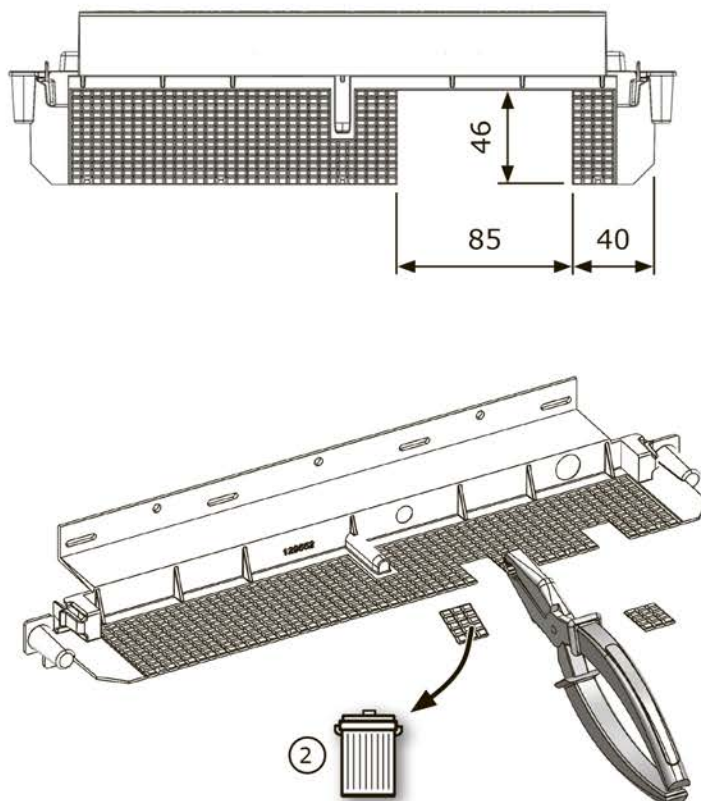


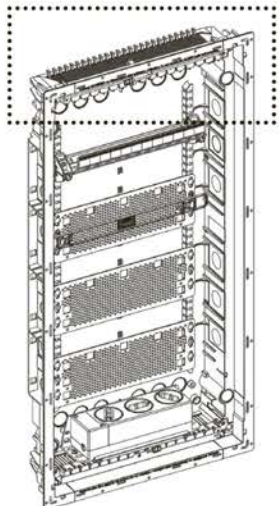
A



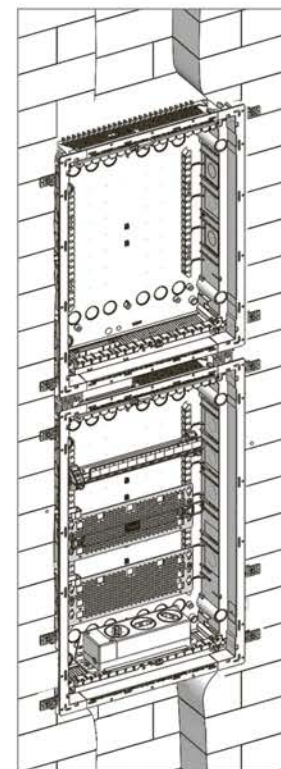
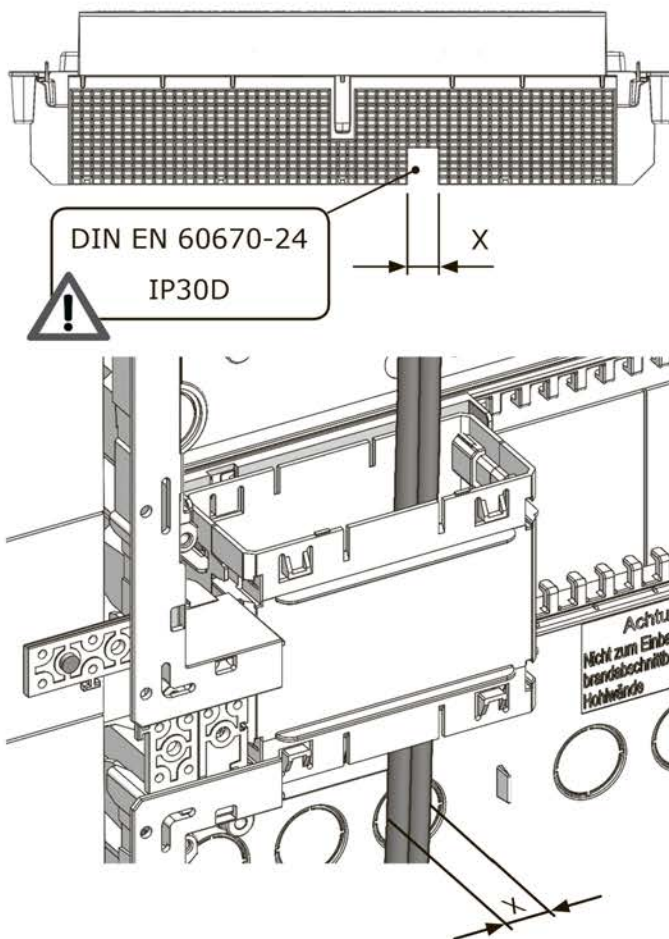
UK6..NB/N/P



B



UK6..MB/MV/MW



Type	H1	H2
UK61..	355	328
UK62..	480	453
UK63..	605	578
UK64..	730	703
UK65.. UK66..	855	828

