



Техническое описание продукта DECOSTAR 51 TITAN 20 W 12 V 60° GU5.3

DECOSTAR 51 TITAN | Рефлекторные галогенные дихроичные лампы диаметром 51



Техническое описание продукта

Technical data

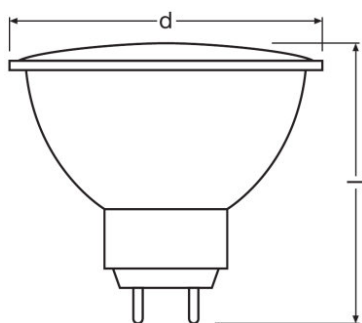
Фотометрические данные

| | |
|----------------------------------------------|------------|
| ZLDV_Nominal useful luminous flux 90° [AGGR] | 250 lm |
| ZLDV_Luminous intensity [AGGR] | 350 cd |
| ZLDV_Light color (designation) [AGGR] | Warm White |
| ZLDV_Rated peak intensity [AGGR] | 350 cd |
| ZLDV_Luminous flux [AGGR] | 300 lm |

Светотехнические параметры

| | |
|------------------------------------------------|---------|
| ZLDV_Beam angle [AGGR] | 60 ° |
| ZLDV_Rated beam angle (half peak value) [AGGR] | 60.00 ° |

Размеры и вес



| | |
|------------------------------|----------|
| ZLDV_Overall length [AGGR] | 46.00 mm |
| ZLDV_Product weight [AGGR] | 29.95 g |
| ZLDV_Maximum diameter [AGGR] | 51 mm |

Дополнительные данные

| | |
|-----------------------------|--------|
| ZLDV_Mercury content [AGGR] | 0.0 mg |
| ZLDV_Mercury-free [AGGR] | Yes |

Возможности / мощности

| | |
|------------------------------|-----|
| ZLDV_Burning position [AGGR] | Any |
|------------------------------|-----|

Сертификаты и Стандарты

| | |
|-------------------------------------|-----------------|
| ZLDV_Energy efficiency class [AGGR] | G |
| ZLDV_Energy consumption [AGGR] | 22.00 kWh/1000h |

Техническое описание продукта

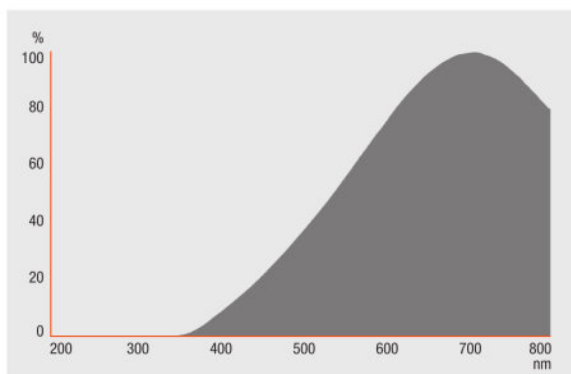
Классификация

| | |
|-------------------|----------------------------|
| ZLDV_ILCOS [AGGR] | HRGS//UB-20-12-GU5.3-51/60 |
|-------------------|----------------------------|

Environmental information

| Information according Art. 33 of EU Regulation (EC) 1907/2006 (REACH) | |
|-----------------------------------------------------------------------|---------------|
| Date of Declaration | 19-01-2022 |
| Primary Article Identifier | 4050300428673 |
| Declaration No. in SCIP database | In work |

Распределение силы света



HAL_DICRO_AK

Данные для заказа

| Product code | Описание продукта | Упаковка (цена/шт.) | Размеры (длина x ширина x высота) | Объем | Вес брутто |
|---------------|------------------------------------------|-----------------------------------------------------|-----------------------------------|----------------------|------------|
| 4050300428673 | DECOSTAR 51 TITAN 20 W 12 V 60° GU5.3 | Shipping carton box 20 шт. Folding carton box | 238 mm x 122 mm x 106 mm | 3.08 дм ³ | 836.00 g |

The mentioned product code describes the smallest quantity unit which can be ordered. One shipping unit can contain one or more single products. When placing an order, for the quantity please enter single or multiples of a shipping unit.

Техническое описание продукта

Примечание

Subject to change without notice. Errors and omission excepted. Always make sure to use the most recent release.

OSRAM is distribution partner
of LEDVANCE of LAMPS

OSRAM

OSRAM GmbH
Marcel-Breuer-Strasse 6
80807 Munich, Germany