

---

# Техническое описание продукта DECOSTAR 51S 20 W 12 V 36° GU5.3

DECOSTAR 51S Standard | Рефлекторные галогенные дихроичные лампы диаметром 51



## Техническое описание продукта

### Technical data

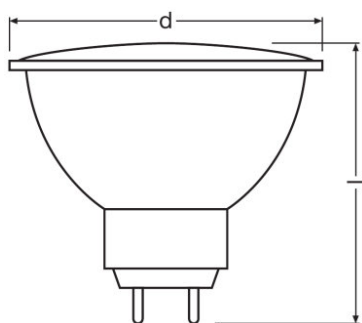
#### Фотометрические данные

ZLDV_Nominal useful luminous flux 90° [AGGR]	210 lm
ZLDV_Luminous intensity [AGGR]	480 cd
ZLDV_Light color (designation) [AGGR]	Warm White
ZLDV_Rated peak intensity [AGGR]	480 cd
ZLDV_Luminous flux [AGGR]	210 lm

#### Светотехнические параметры

ZLDV_Beam angle [AGGR]	36 °
ZLDV_Rated beam angle (half peak value) [AGGR]	36.00 °

#### Размеры и вес



ZLDV_Overall length [AGGR]	46.00 mm
ZLDV_Product weight [AGGR]	32.24 g
ZLDV_Maximum diameter [AGGR]	51 mm

#### Дополнительные данные

ZLDV_Mercury content [AGGR]	0.0 mg
ZLDV_Mercury-free [AGGR]	Yes

#### Возможности / мощности

ZLDV_Burning position [AGGR]	Any
------------------------------	-----

#### Сертификаты и Стандарты

ZLDV_Energy efficiency class [AGGR]	G
ZLDV_Energy consumption [AGGR]	22.00 kWh/1000h

## Техническое описание продукта

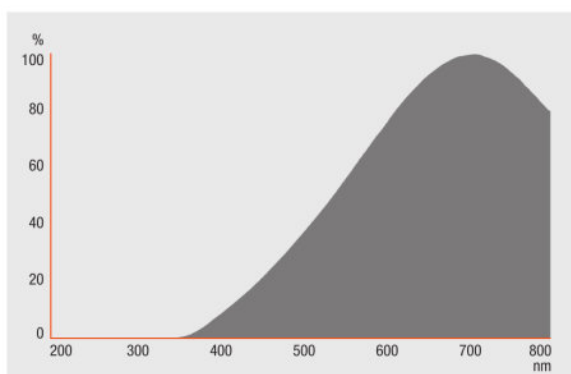
### Классификация

ZLDV_ILCOS [AGGR]	HRGS//UB-20-12-GU5.3-51/36
-------------------	----------------------------

### Environmental information

Information according Art. 33 of EU Regulation (EC) 1907/2006 (REACH)	
Date of Declaration	18-04-2022
Primary Article Identifier	4050300272511
Declaration No. in SCIP database	In work

### Распределение силы света



HAL\_DICRO\_AK

### Ecodesign regulation information:

Separate control gear and light sources must be disposed of at certified disposal companies in accordance with Directive 2012/19/EU (WEEE) in the EU and with Waste Electrical and Electronic Equipment (WEEE) Regulations 2013 in the UK. For this purpose, collection points for recycling centres and take-back systems (CRSO) are available from retailers or private disposal companies, which accept separate control gear and light sources free of charge. In this way, raw materials are conserved and materials are recycled.

### Данные для заказа

## Техническое описание продукта

Product code	Описание продукта	Упаковка (цена/шт.)	Размеры (длина x ширина x высота)	Объем	Вес брутто
4050300272511	DECOSTAR 51S 20 W 12 V 36° GU5.3	Shipping carton box 20 шт. Folding carton box	202 mm x 124 mm x 147 mm	3.68 дм <sup>3</sup>	856.00 g
4050300272511	DECOSTAR 51S 20 W 12 V 36° GU5.3	Shipping carton box 60 шт. Folding carton box	290 mm x 135 mm x 245 mm	9.59 дм <sup>3</sup>	2578.00 g

The mentioned product code describes the smallest quantity unit which can be ordered. One shipping unit can contain one or more single products. When placing an order, for the quantity please enter single or multiples of a shipping unit.

### Примечание

Subject to change without notice. Errors and omission excepted. Always make sure to use the most recent release.

OSRAM is distribution partner  
of LEDVANCE of LAMPS

**OSRAM**

OSRAM GmbH  
Marcel-Breuer-Strasse 6  
80807 Munich, Germany