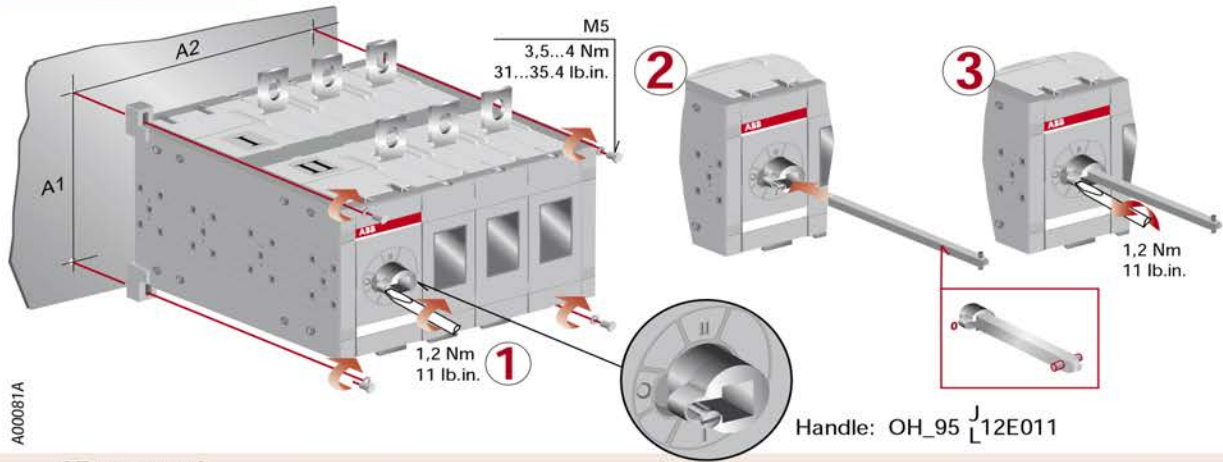


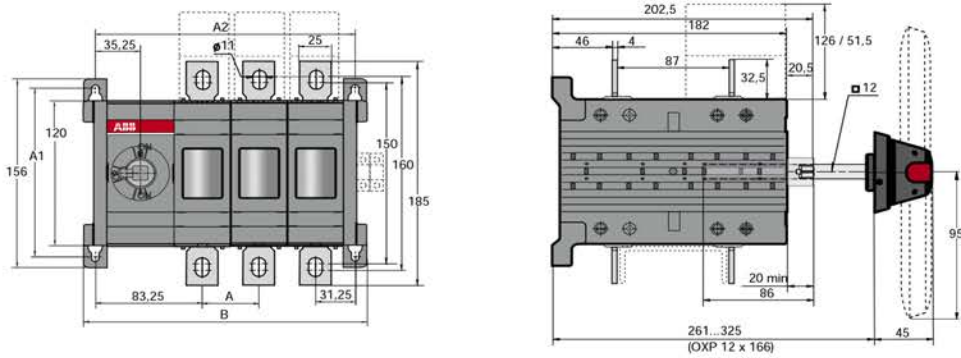
OT315-400_C



A00081A

OT315_400_C

[mm]

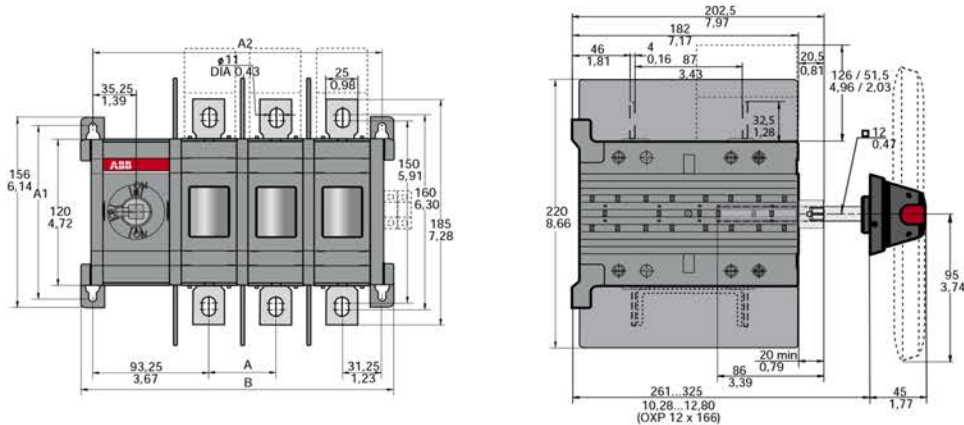


OT 315...400E_C			
	E02	E03	E04
A	44	44	44
A1	142	142	142
A2	158,5	202,5	246,5
B	177	221	265

C000008 / 315_400E_C_AS_A

OT400U_C

[mm] / [in]

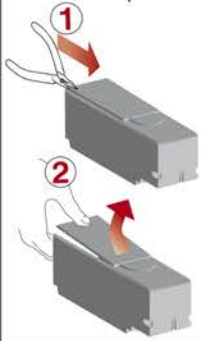


OT 400U_C			
	U02	U03	U04
A	54 / 2,13	54 / 2,13	54 / 2,13
A1	142 / 5,59	142 / 5,59	142 / 5,59
A2	178,5 / 7,03	232,5 / 9,15	286,5 / 11,28
B	197 / 7,76	251 / 9,88	305 / 12,01

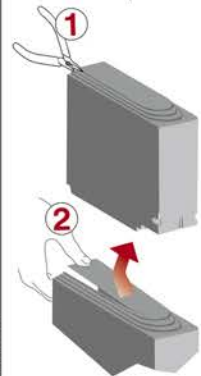
C000009 / 400U_C_AS_A

OTS_

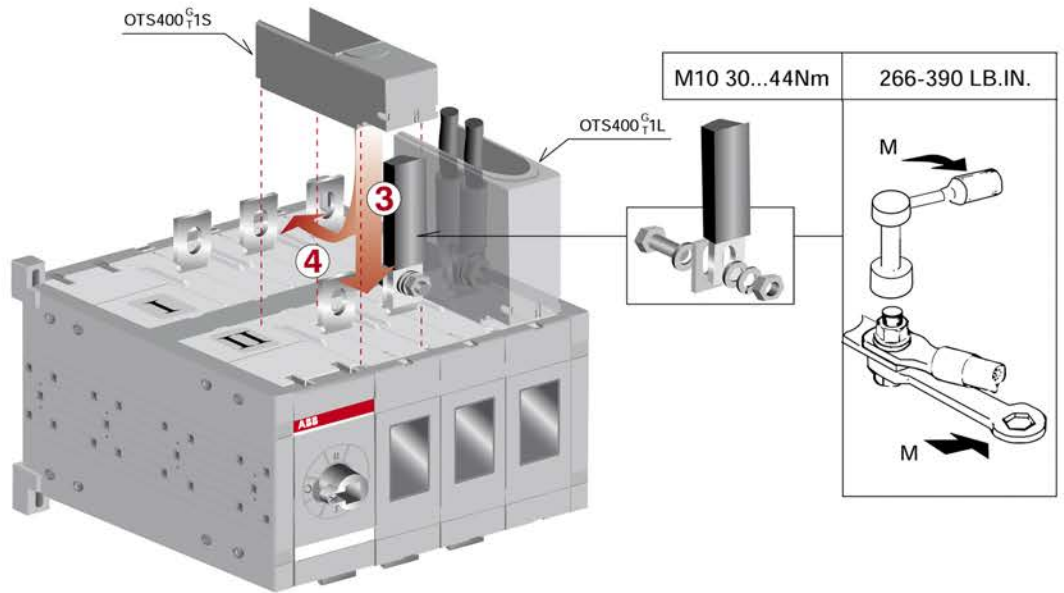
OTS400^G1S



OTS400^G1L



A00082A



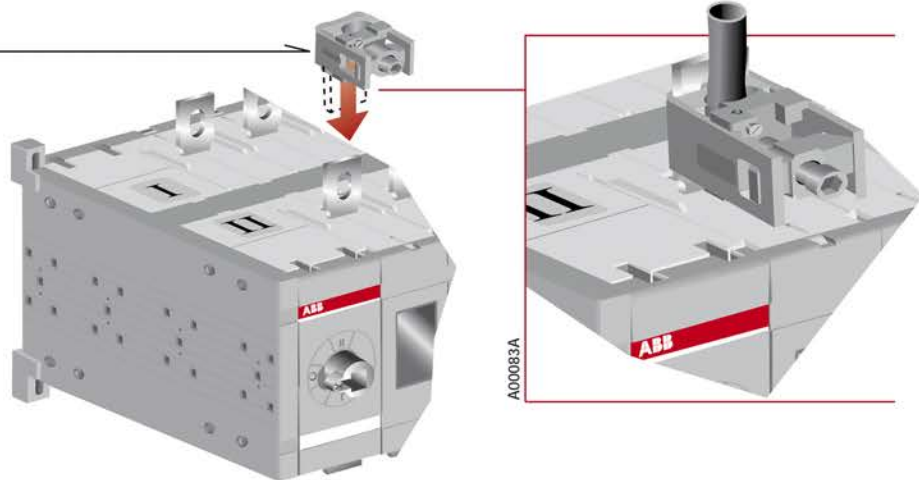
OZX_

OT 315, OT 400

OZXB2L
OZXB3
OZXB4
OZXB7
OZXB7L
OZXB8
OZXB9

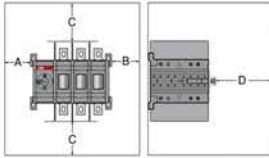
OT 400U

OZXA-400_
OZXA-406_



A00083A

Clearances per UL98



Minimum enclosure size or equivalent volume

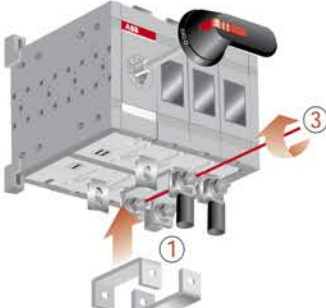
Height	Width	Depth
610 mm	356 mm	254 mm
24 in	14 in	10 in

OT400U_	2		1		1/0		2/0		3/0-4/0		250		300		350	
A	0															
B	13mm 0,5 in															
C	Cable size AWG/MCM		100 mm 4 in	100 mm 4 in	150 mm 5 in	150 mm 5 in	175 mm 7 in	200 mm 8 in	250 mm 10 in	250 mm 10 in	300 mm 12 in	300 mm 12 in	300 mm 12 in	300 mm 12 in	300 mm 12 in	300 mm 12 in
D	13mm 0,5 in															

Label



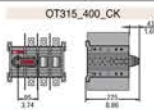
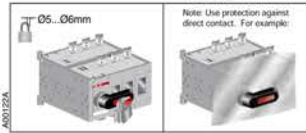
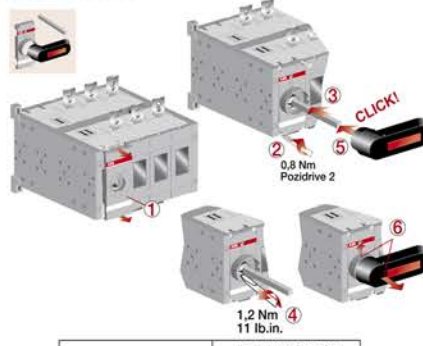
OTZC_



OTZC23
OTZC24



OTV400ECK



OA_

