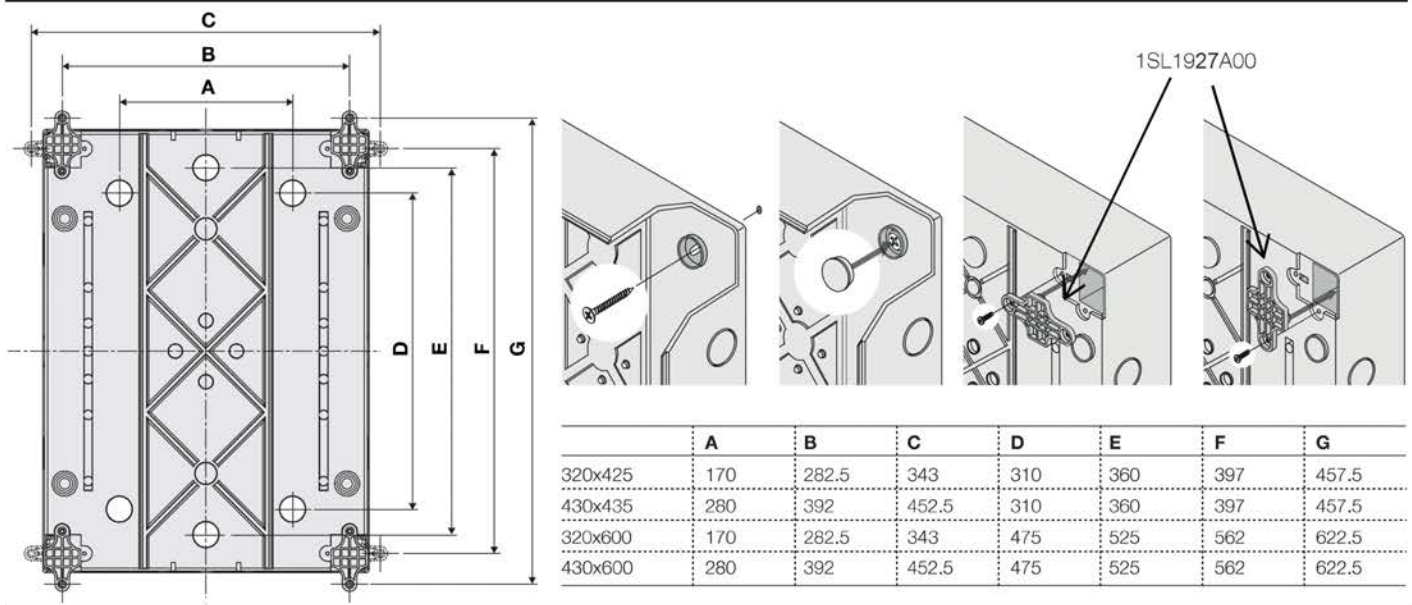
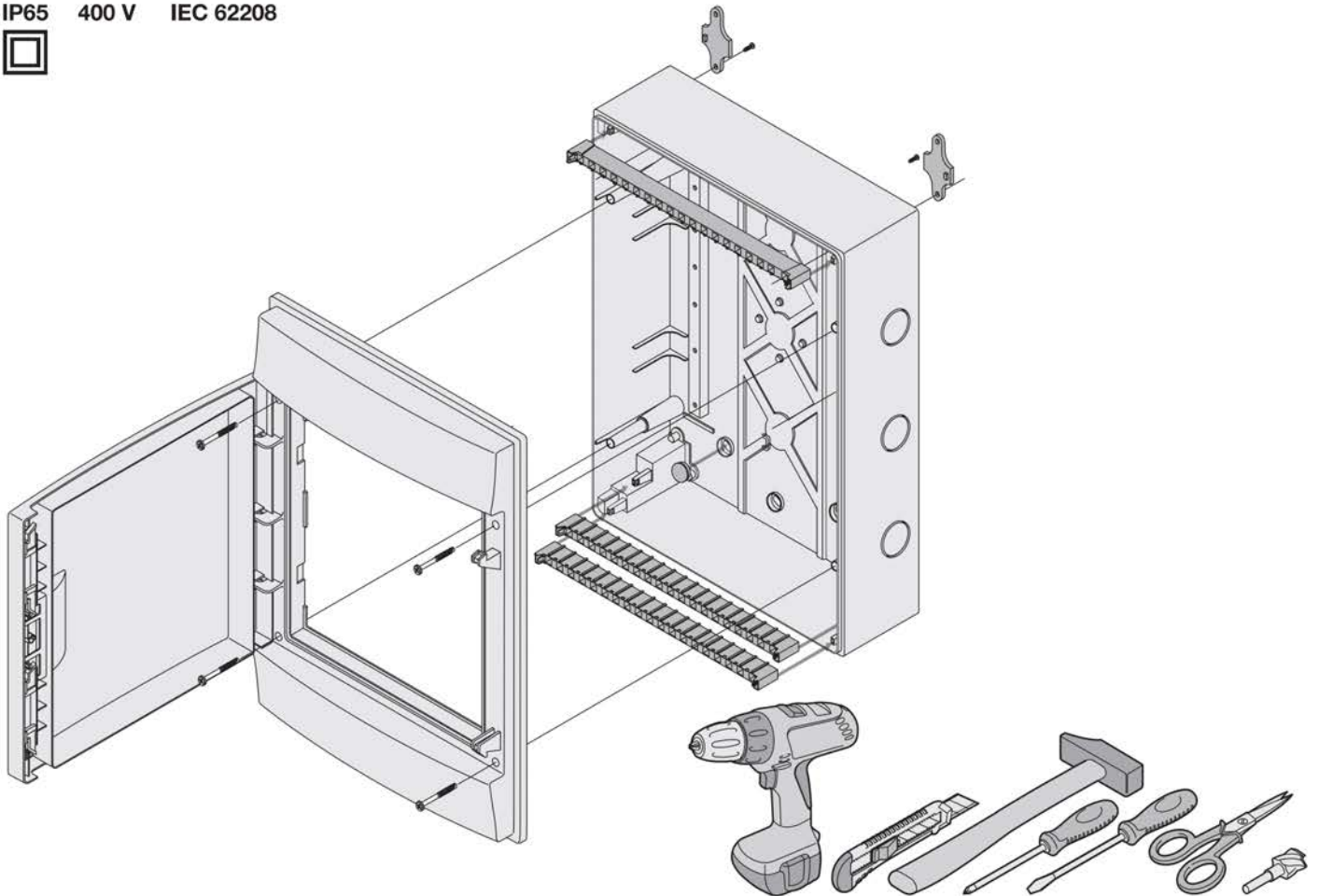
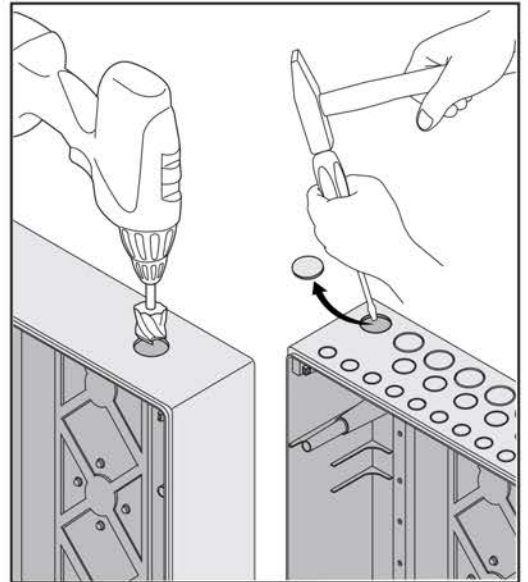
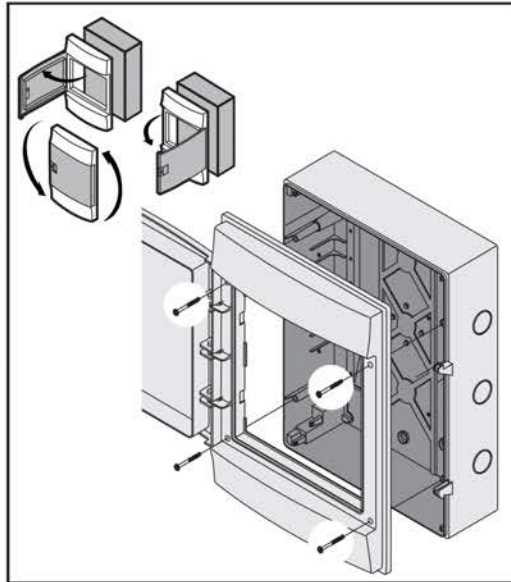
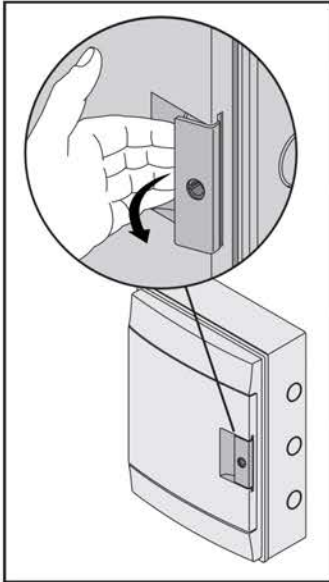


Doc. N.° 1IM5124

Mistral65H SWITCH-BOARD

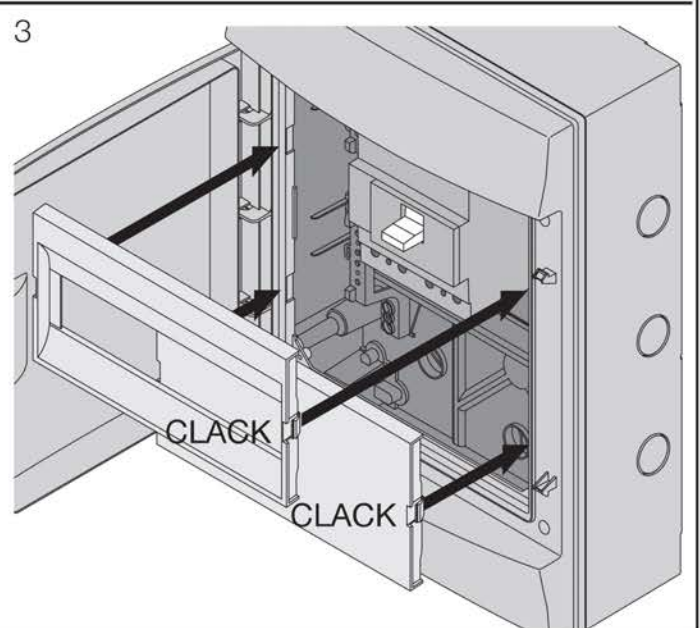
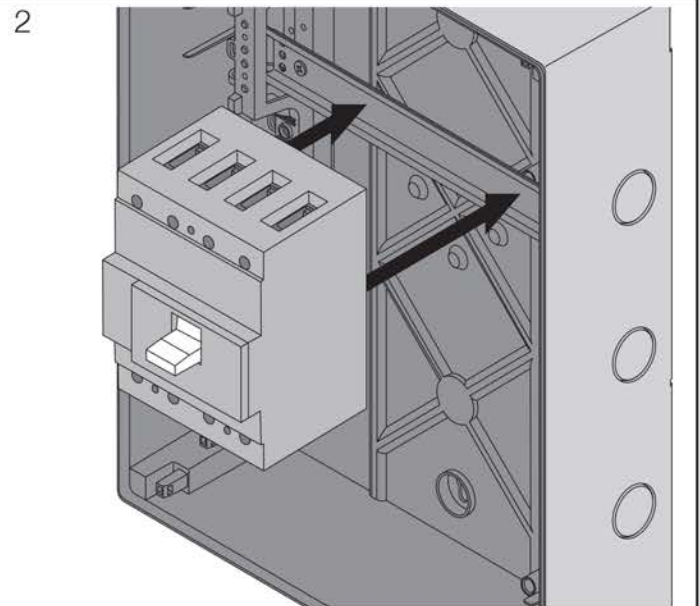
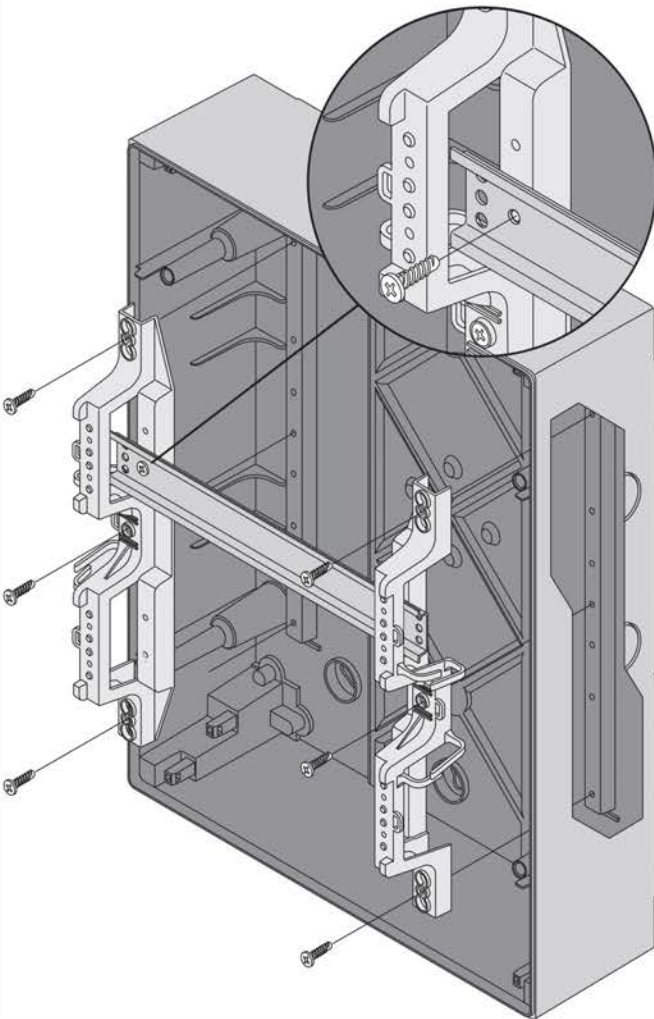
IP65 400 V IEC 62208

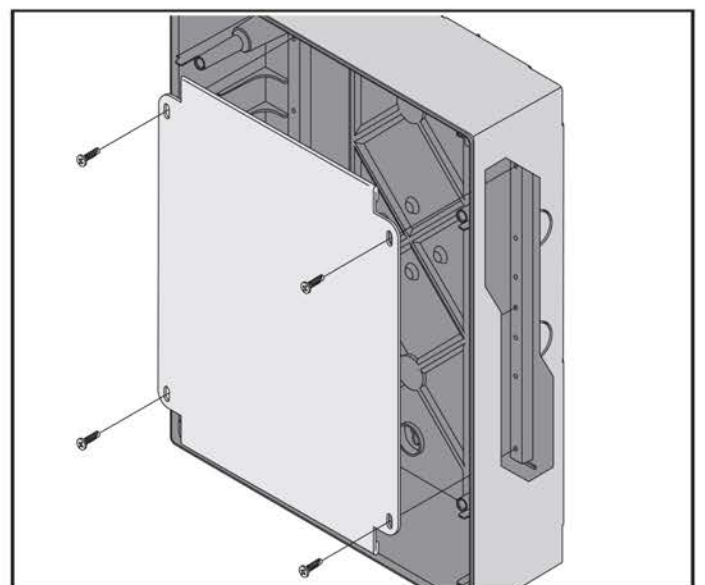
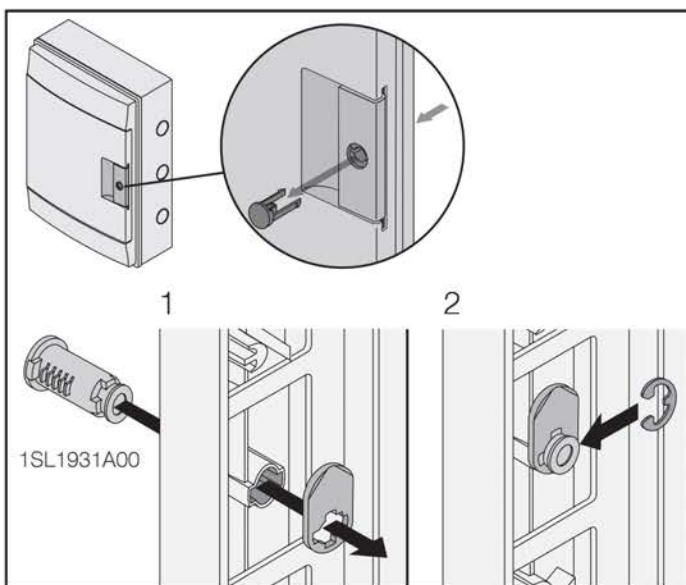
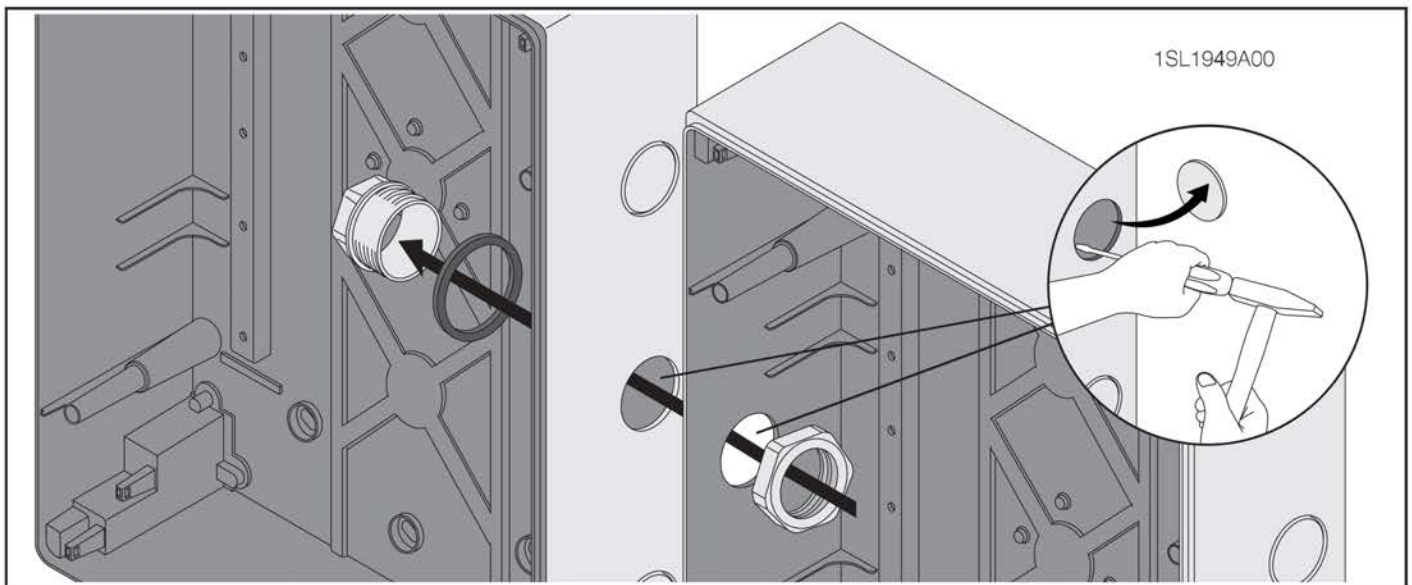
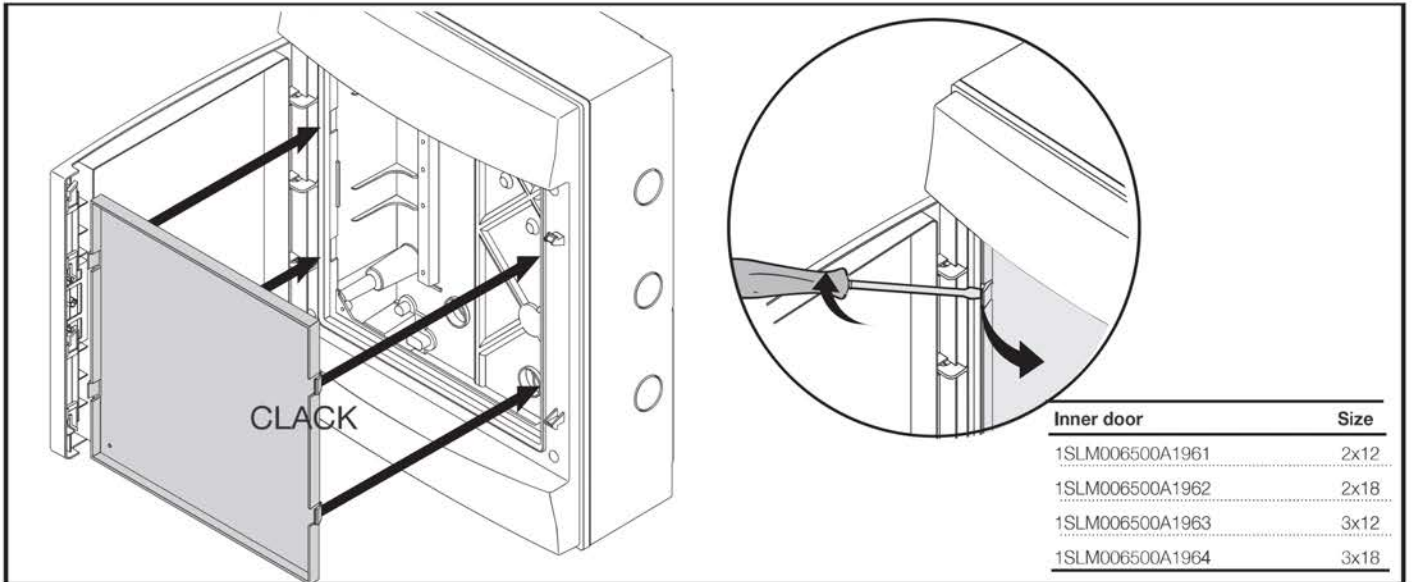


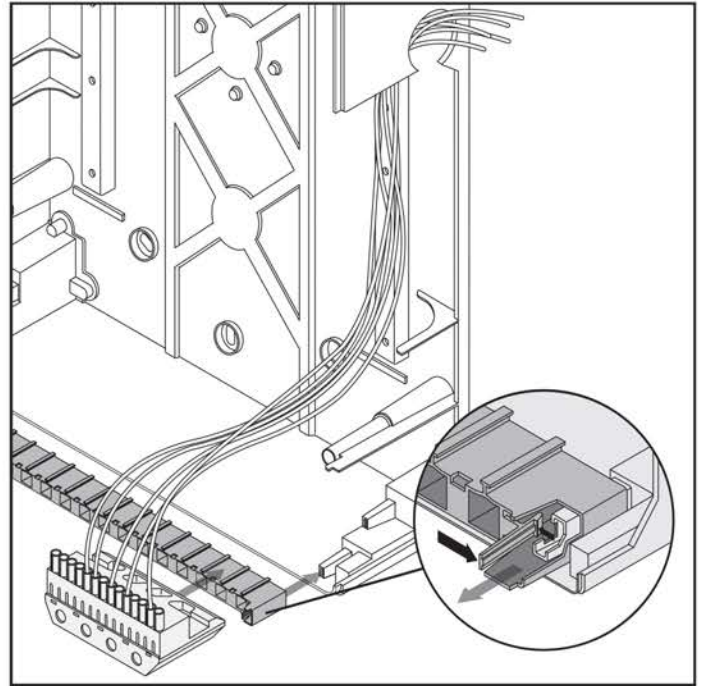
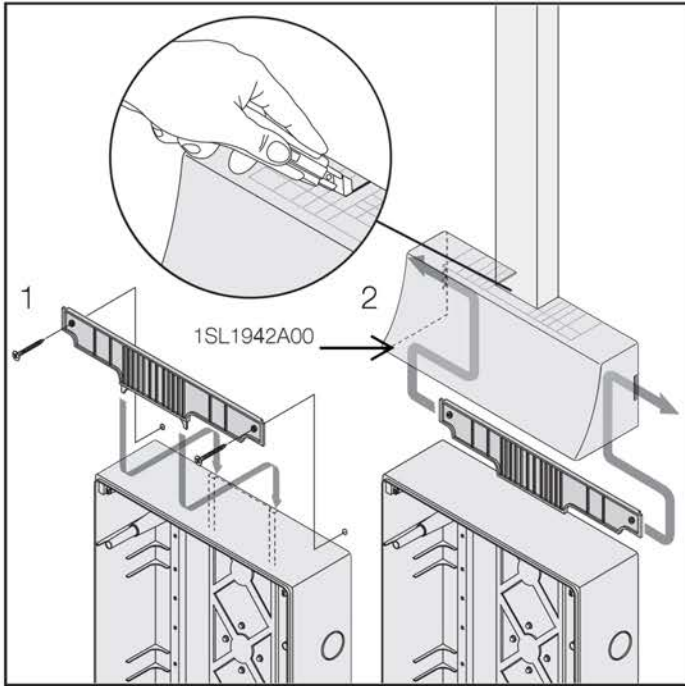


1

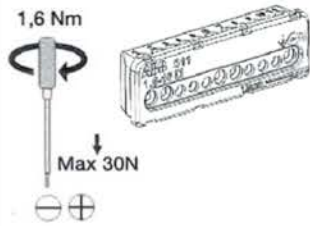
Kit Tmax XT	Size
1SLM006500A1969	2x12
1SLM006500A1970	2x18
1SLM006500A1959	3x12
1SLM006500A1960	3x18





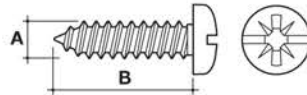
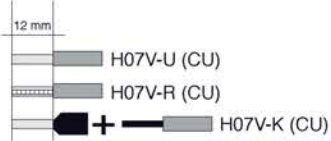


Screw terminal



Technical data:

U_N: AC 400V / 50/60 Hz
 I_N: AC 100A
 T: +40 / -5° C
 IP2X



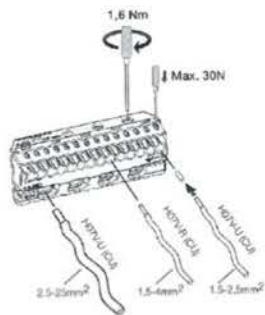
A (mm)	B (mm)				max (N/m)
3.5	12	6.5x1	PH1	0.8	
5	42	8x1.2	PH2	1.3	

DOUBLE INSULATION

The symbol given on the electrical boxes, panels and soaled boxes, indicates that they are made in such a way as to realize protection against indirect contacts, by means of complete insulation.

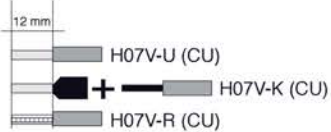
For this purpose, they must be correctly installed according to the instructions supplied with the product and by using the accessories supplied (screw caps).

Screwless terminal



Technical data:

U_N: AC 400V / 50/60 Hz
 I_N: 63A
 T: +40 / -5° C
 IP2X
 ERC



Screw terminal (Basic range)



Technical data:

U_N: AC 400V / 50/60 Hz
 I_N: 100A
 T: +60° C / -25° C
 IP2X
 CE - ERC
 DIAM. 4,5 mm = 1,5-10 mm²
 DIAM. 5,6 mm = 1,5-16 mm²



EN61439-3



Warning! Installation by person with electrotechnical expertise only.

