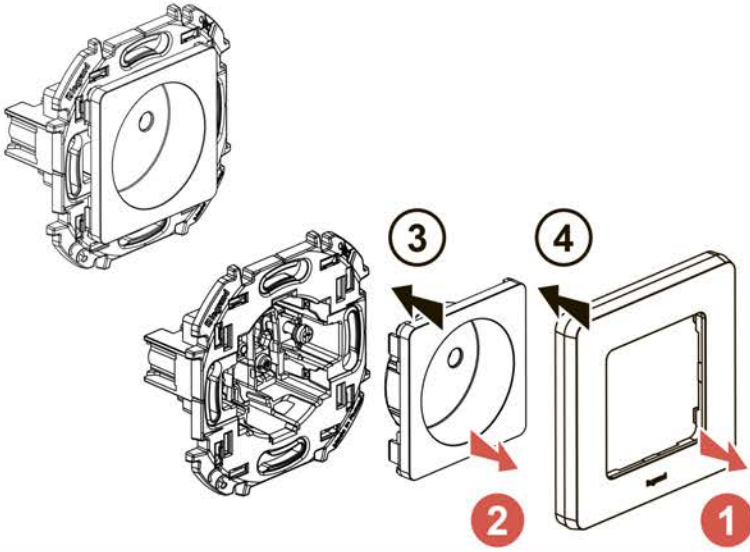
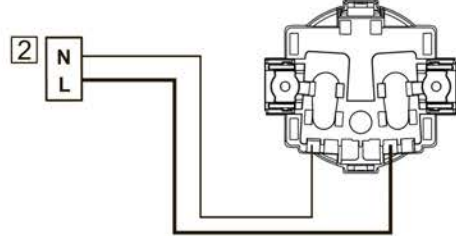


6 737 10/11/12/13

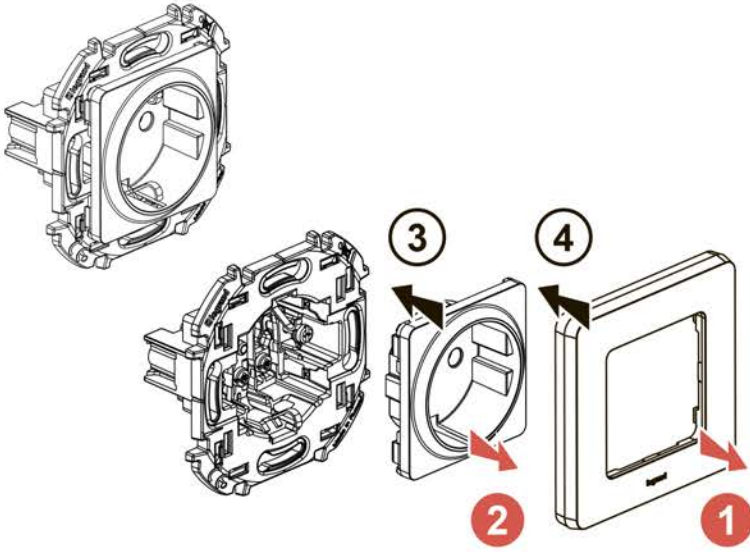


1

16 A, 250 B~	
	≤ 2,5 mm ²
	9 mm

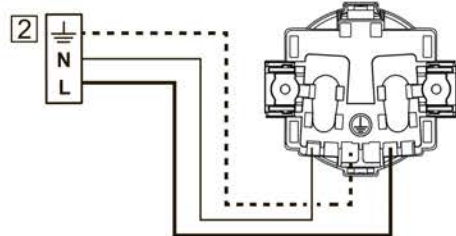


6 737 20/21/22/23

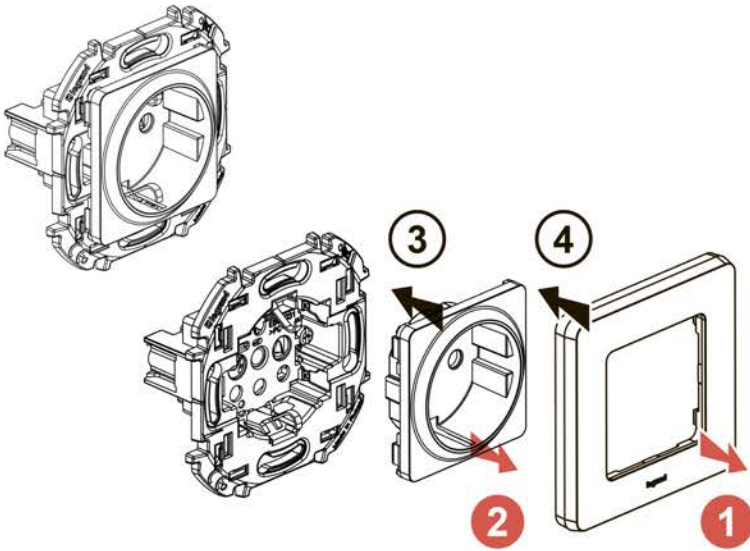


1

16 A, 250 B~	
	≤ 2,5 mm ²
	9 mm

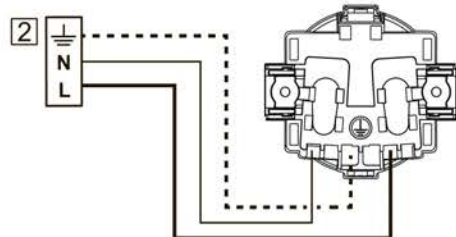


6 737 30/31/32/33

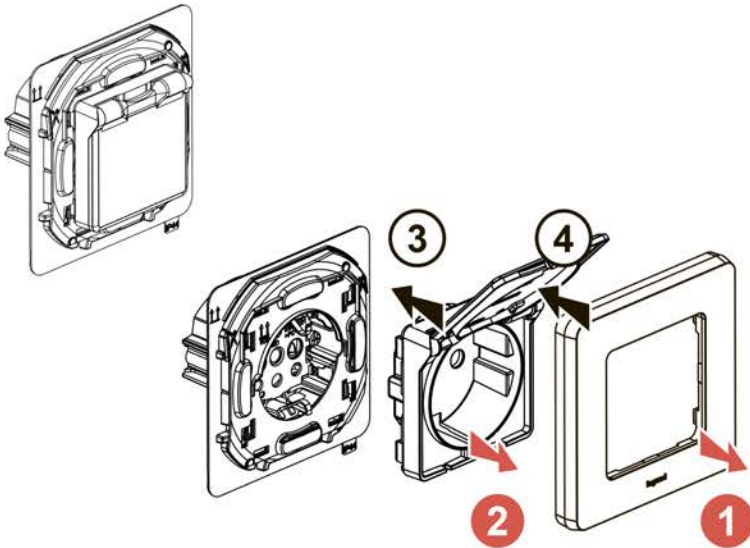


1

16 A, 250 B~	
	≤ 2,5 mm ²
	9 mm



6 737 40/41/42/43

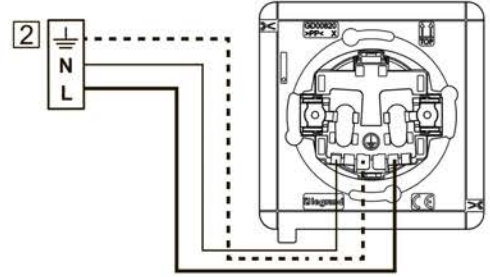


1 OFF

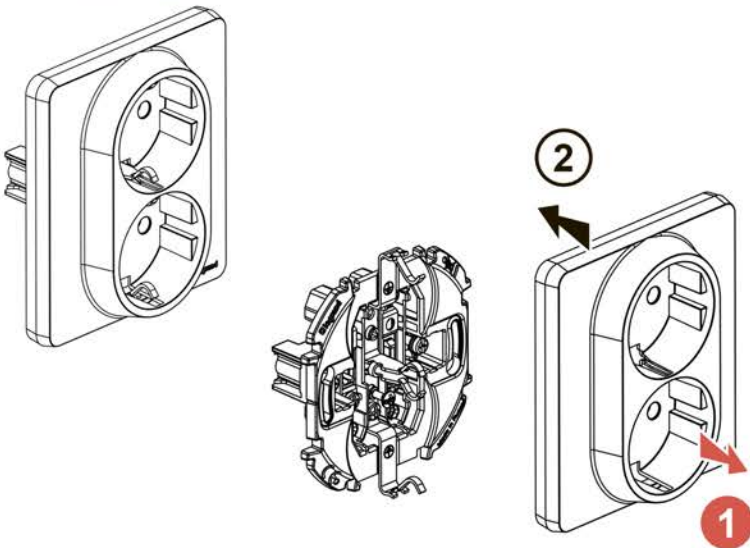
16 A, 250 B~

$\leq 2,5 \text{ mm}^2$

9 mm



6 737 50/51/52/53

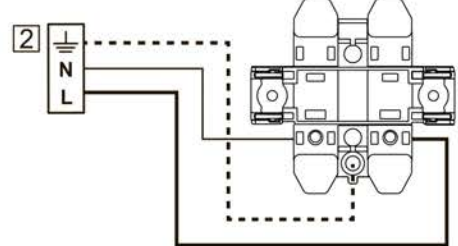


1 OFF

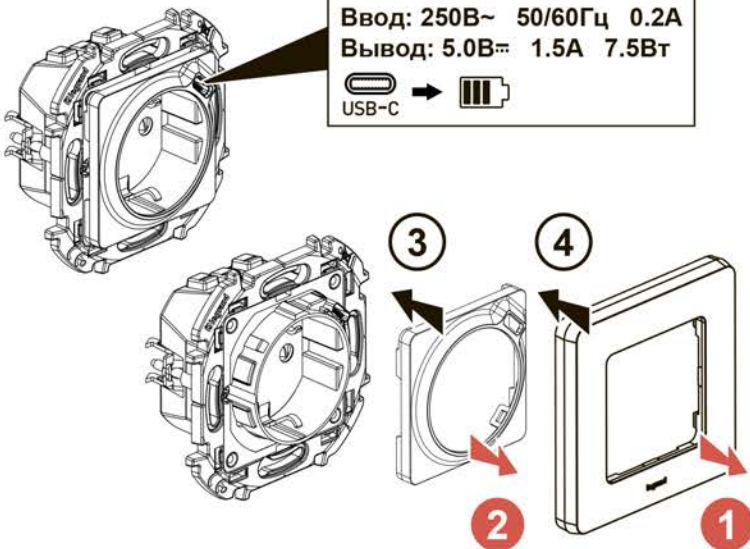
16 A, 250 B~

$\leq 2,5 \text{ mm}^2$

9 mm



6 737 70/71/72/73



Ввод: 250В~ 50/60Гц 0.2А
 Вывод: 5.0В~ 1.5А 7.5Вт

USB-C

1 OFF

16 A, 250 B~

$\leq 2,5 \text{ mm}^2$

11 mm

