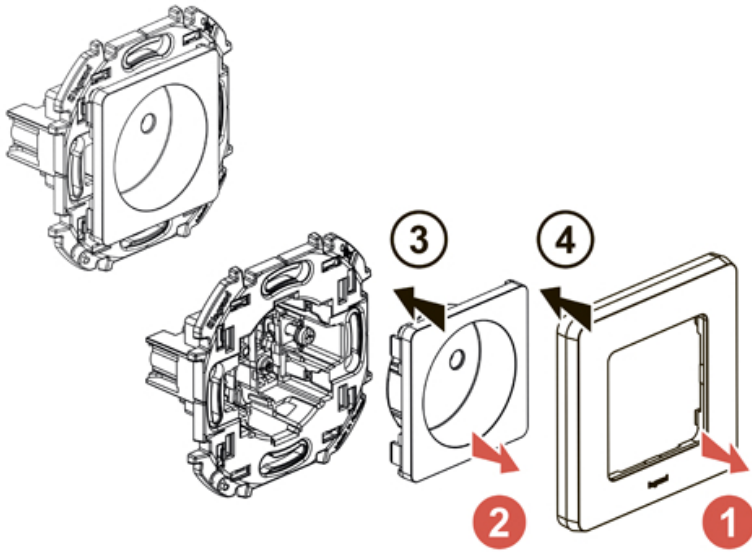
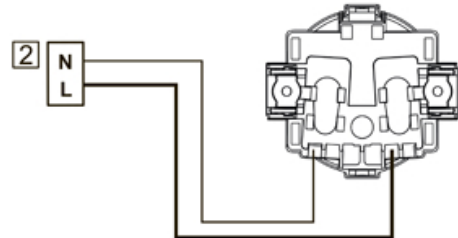


6 737 10/11/12/13

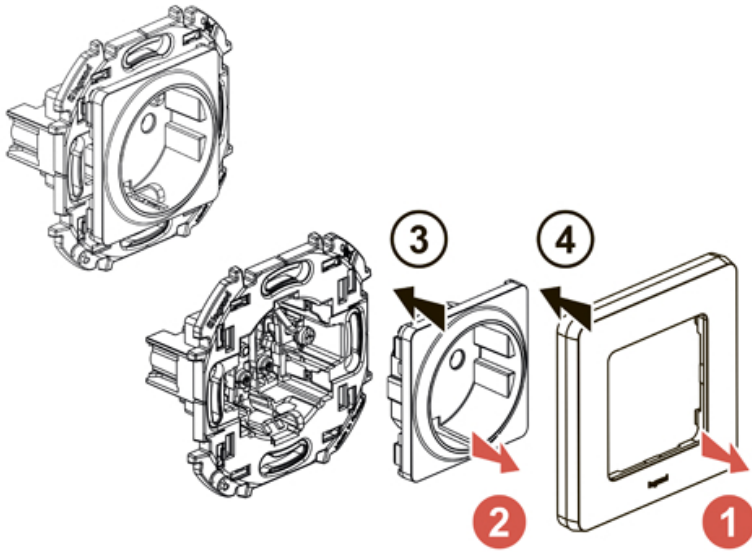


1

16 A, 250 B~	
	≤ 2,5 mm ²
	9 mm

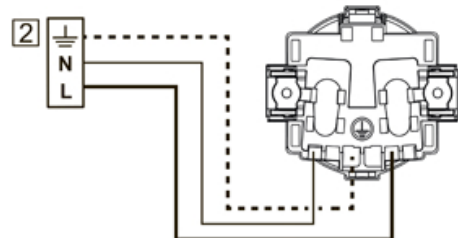


6 737 20/21/22/23

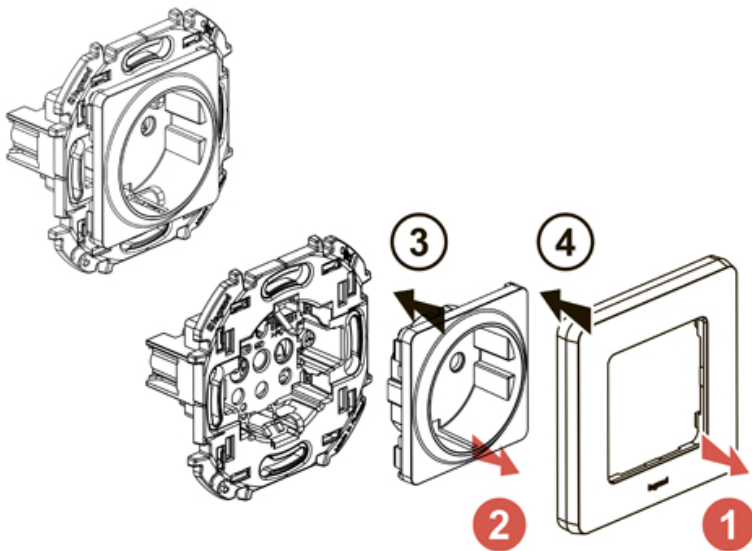


1

16 A, 250 B~	
	≤ 2,5 mm ²
	9 mm

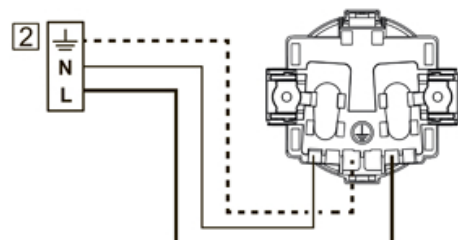


6 737 30/31/32/33

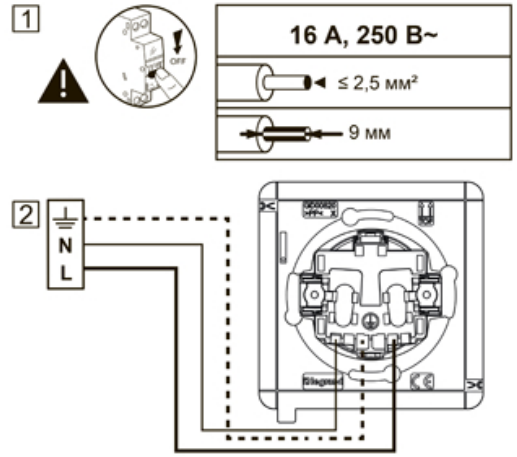
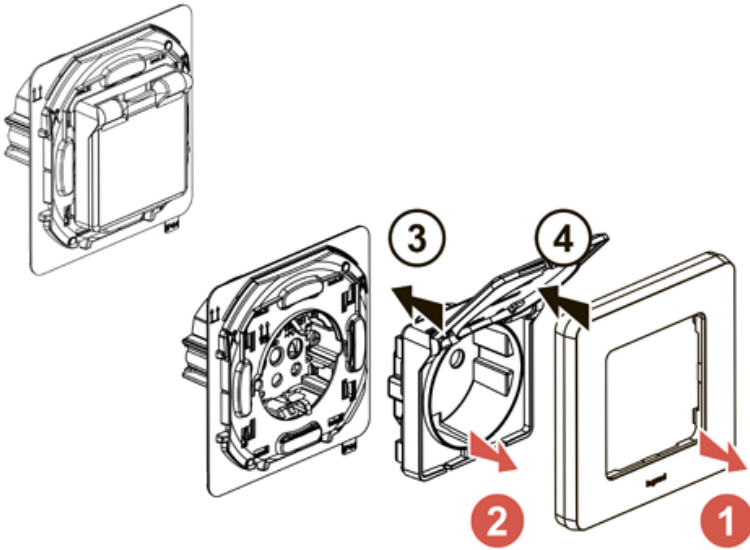


1

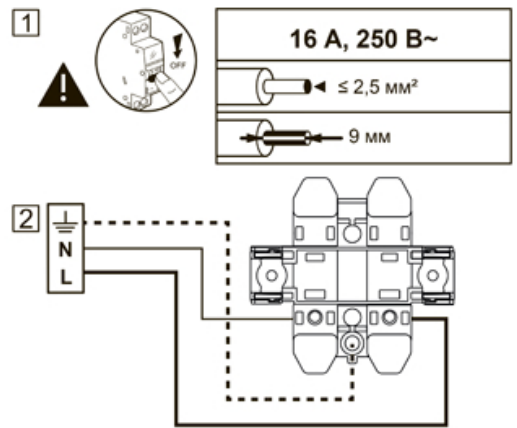
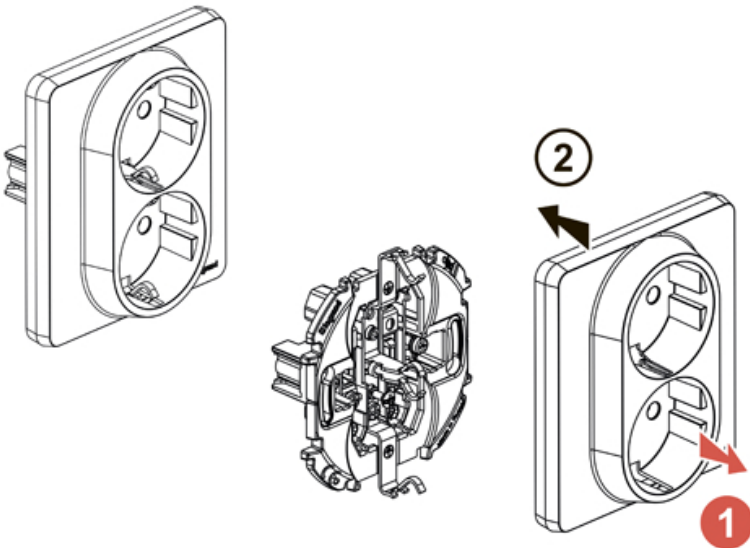
16 A, 250 B~	
	≤ 2,5 mm ²
	9 mm



6 737 40/41/42/43



6 737 50/51/52/53



6 737 70/71/72/73

