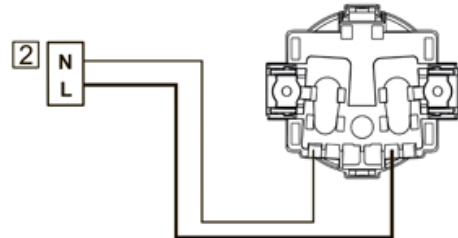
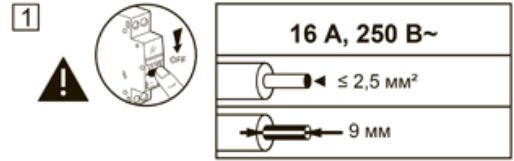
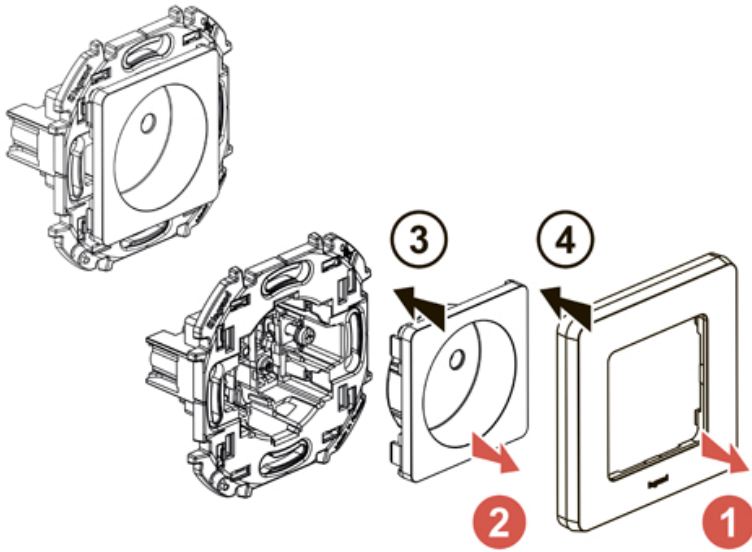
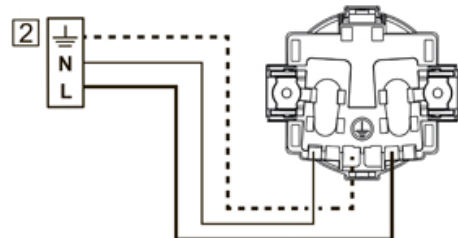
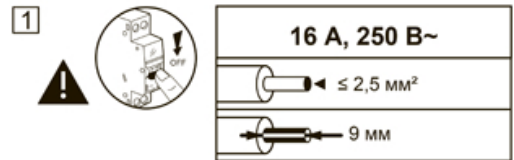
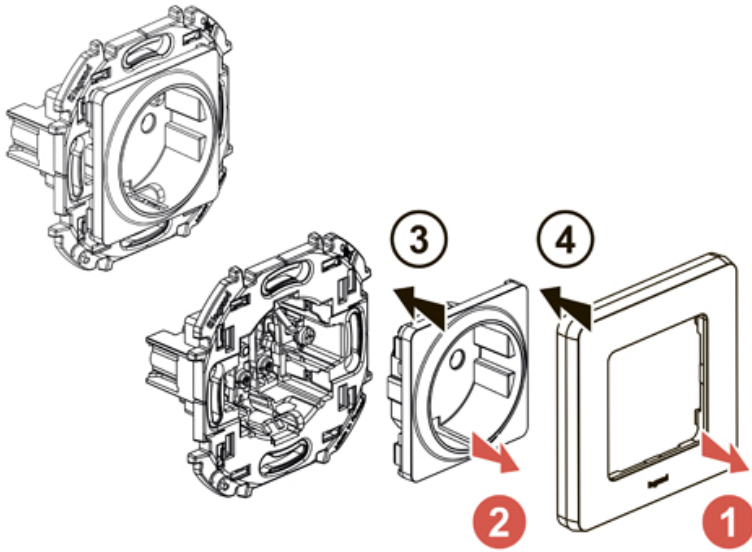


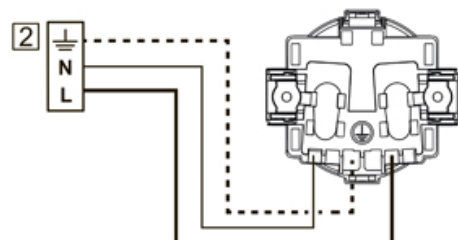
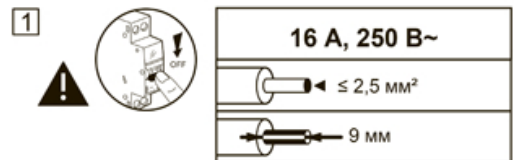
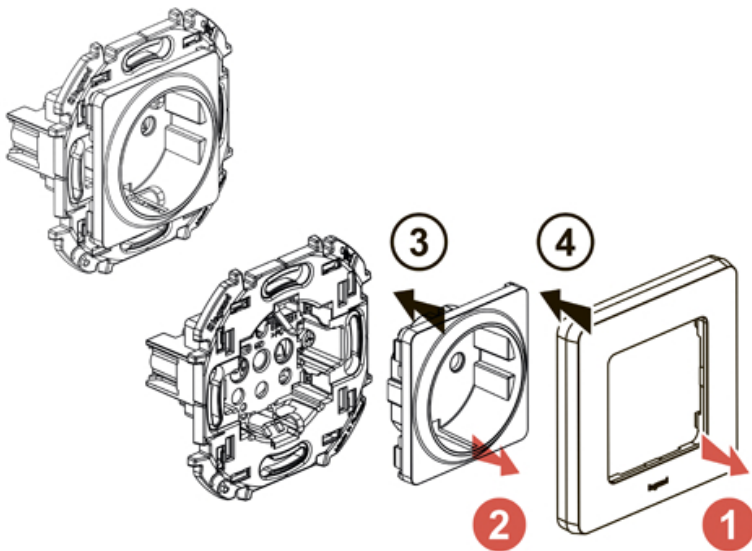
6 737 10/11/12/13



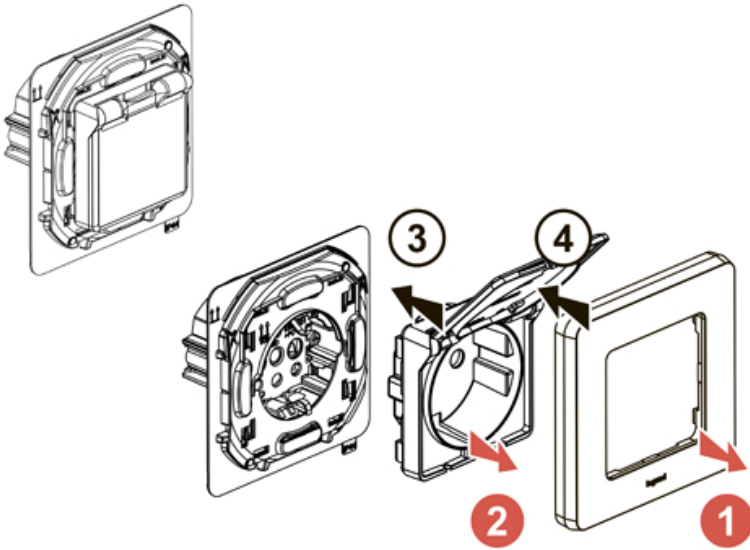
6 737 20/21/22/23



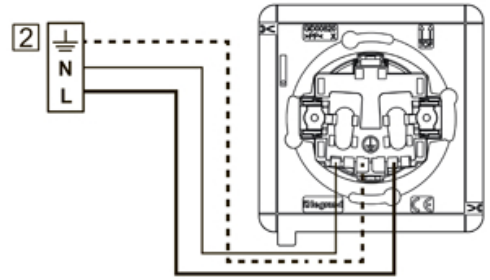
6 737 30/31/32/33



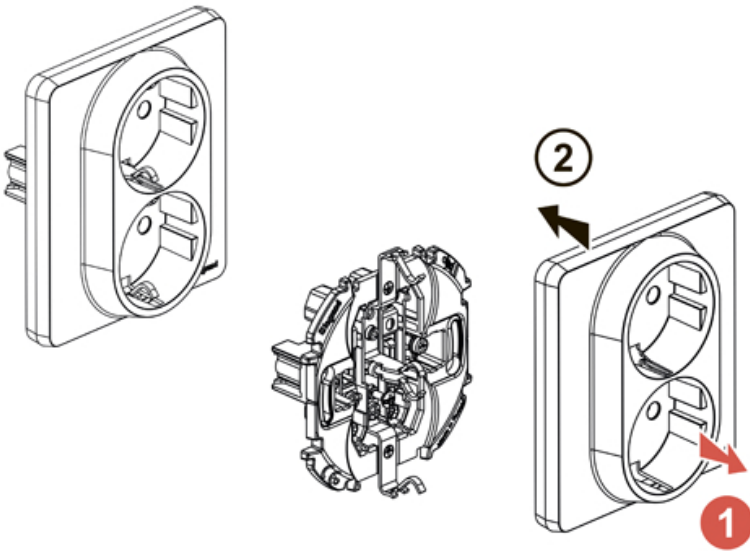
6 737 40/41/42/43



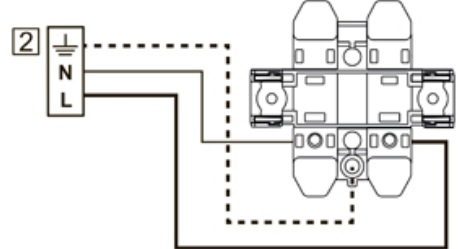
1 **16 A, 250 B~**
 $\leq 2,5 \text{ mm}^2$
 9 mm



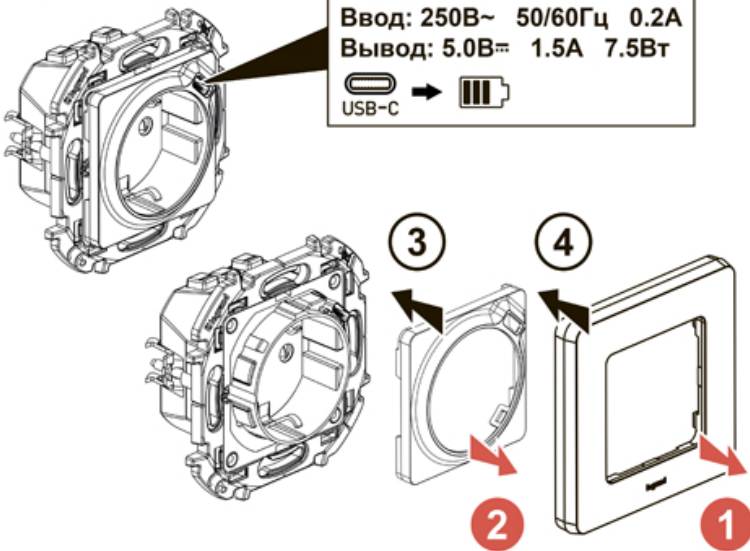
6 737 50/51/52/53



1 **16 A, 250 B~**
 $\leq 2,5 \text{ mm}^2$
 9 mm



6 737 70/71/72/73



1 **16 A, 250 B~**
 $\leq 2,5 \text{ mm}^2$
 11 mm

