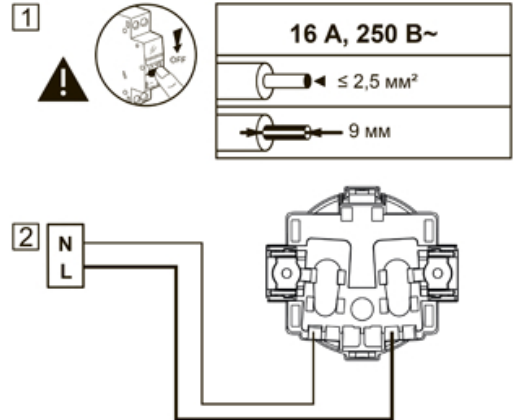
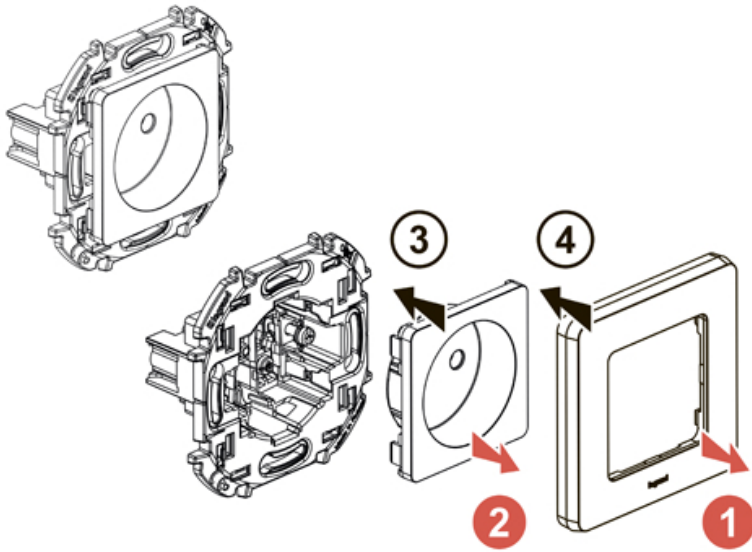
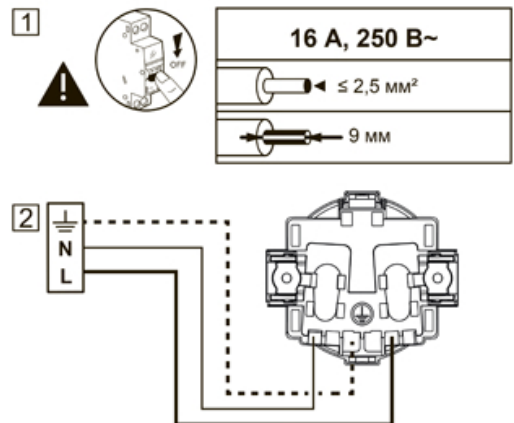
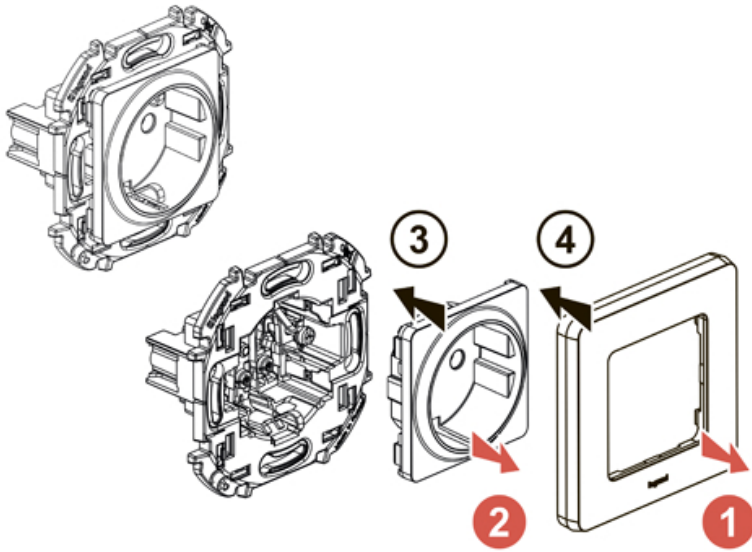


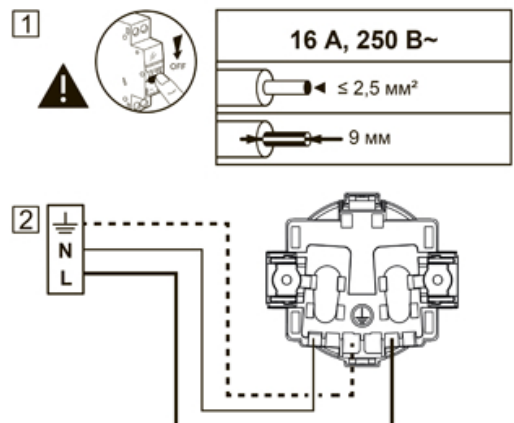
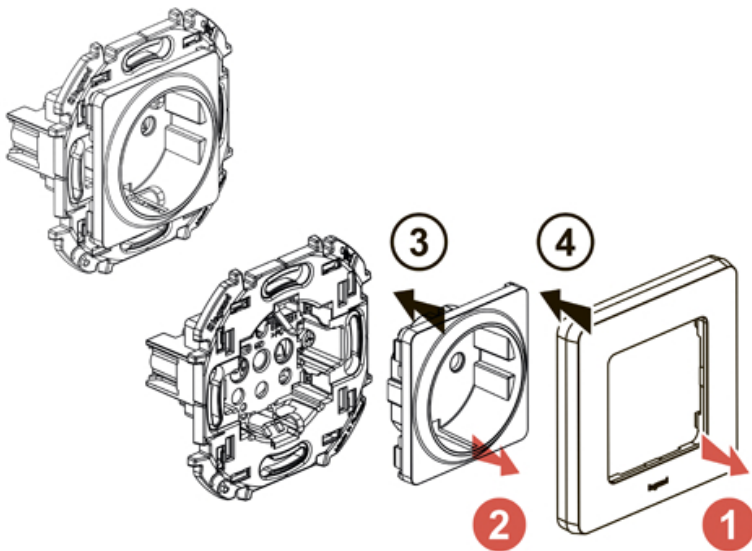
6 737 10/11/12/13



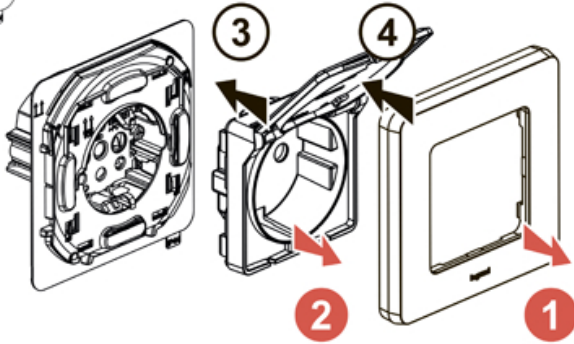
6 737 20/21/22/23



6 737 30/31/32/33

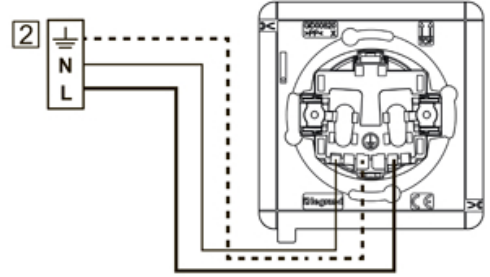


6 737 40/41/42/43

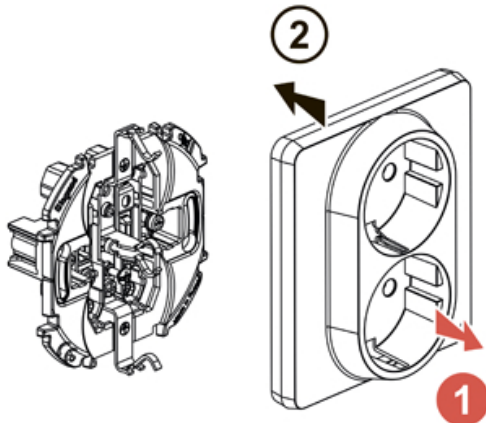
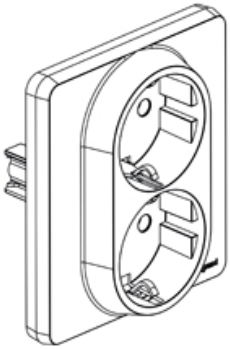


1

| |
|-------------------------|
| 16 A, 250 B~ |
| $\leq 2,5 \text{ mm}^2$ |
| 9 mm |

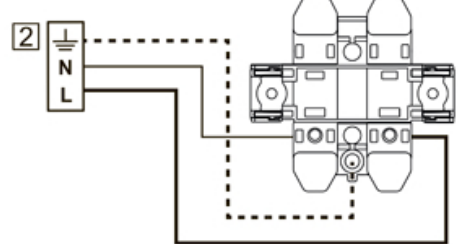


6 737 50/51/52/53

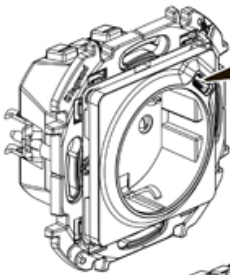


1

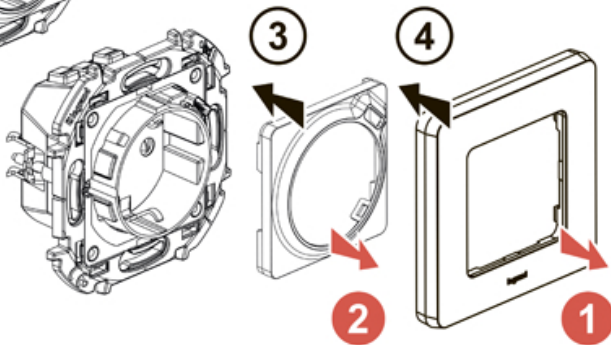
| |
|-------------------------|
| 16 A, 250 B~ |
| $\leq 2,5 \text{ mm}^2$ |
| 9 mm |



6 737 70/71/72/73



Ввод: 250В~ 50/60Гц 0.2А
 Вывод: 5.0В~ 1.5А 7.5Вт
 USB-C



1

| |
|-------------------------|
| 16 A, 250 B~ |
| $\leq 2,5 \text{ mm}^2$ |
| 11 mm |

