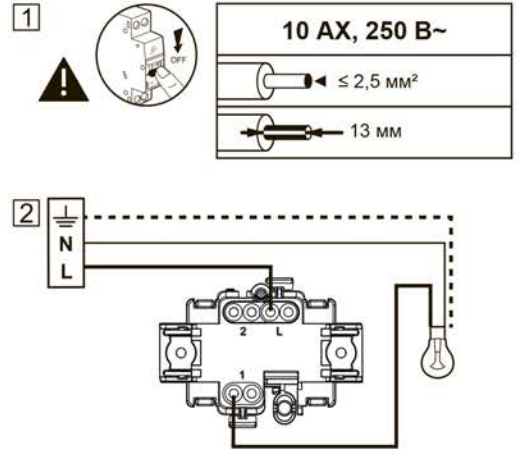
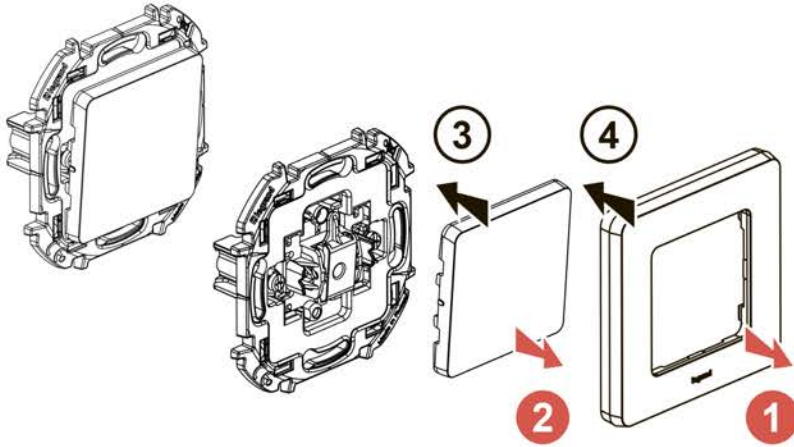
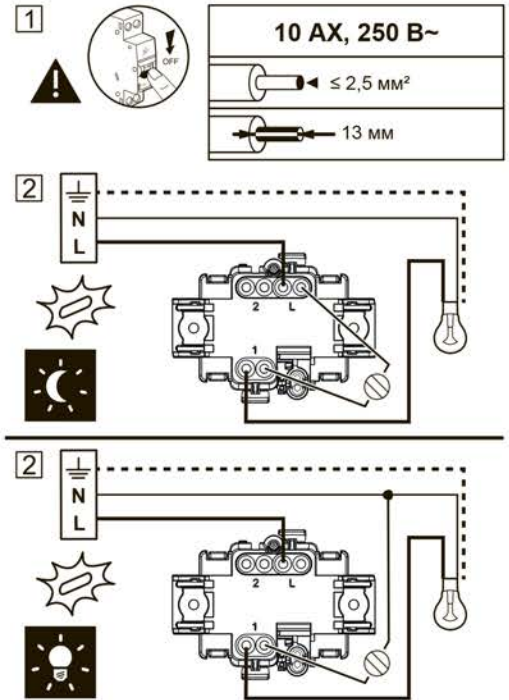
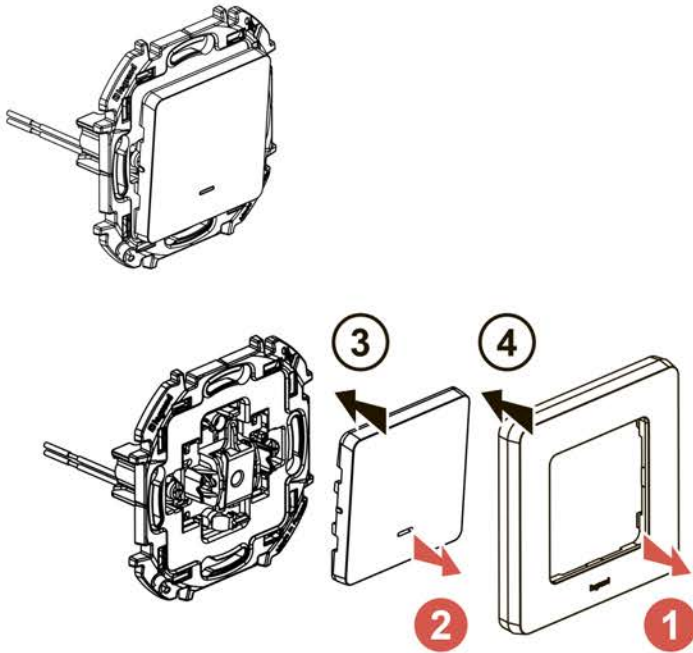


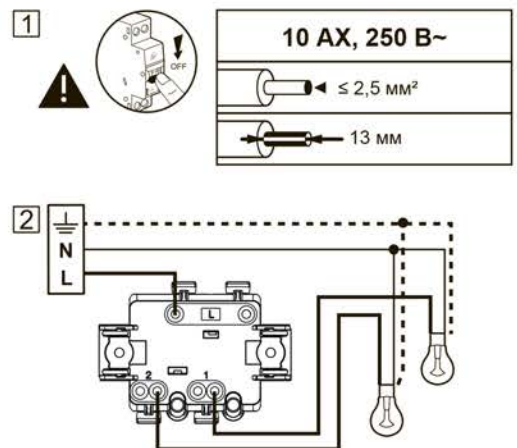
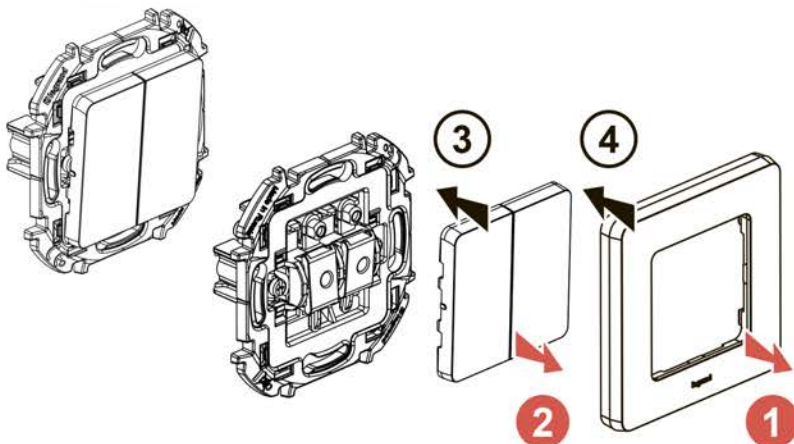
6 736 00/01/02/03



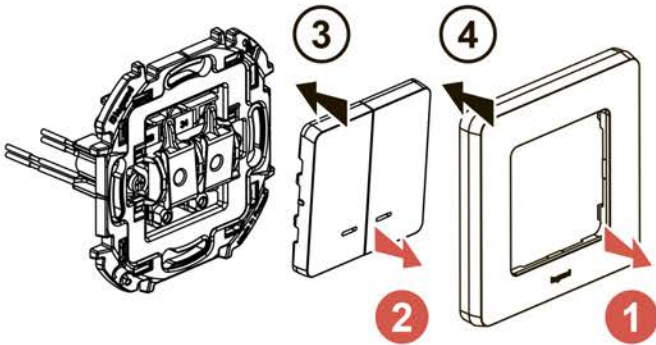
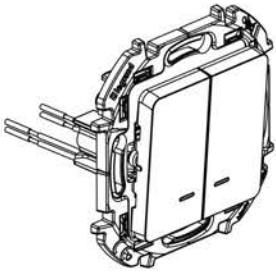
6 736 10/11/12/13



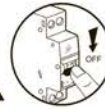
6 736 20/21/22/23



6 736 30/31/32/33



1

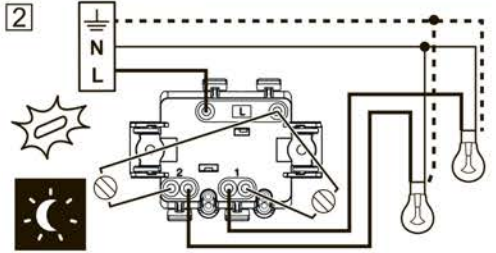


10 AX, 250 B~

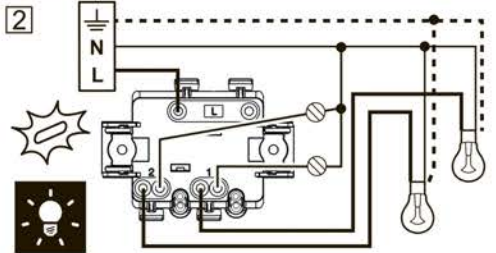
≤ 2,5 mm²

13 mm

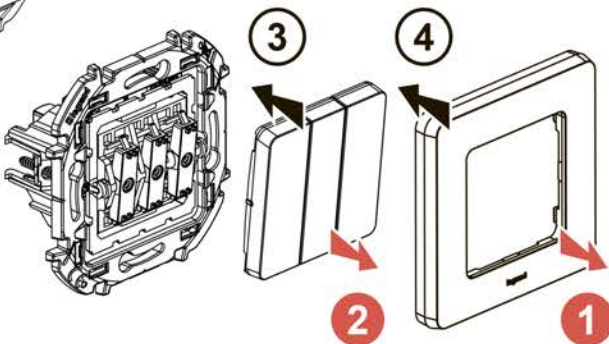
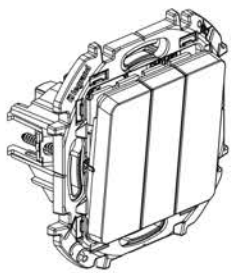
2



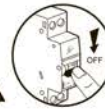
2



6 736 40/41/42/43



1

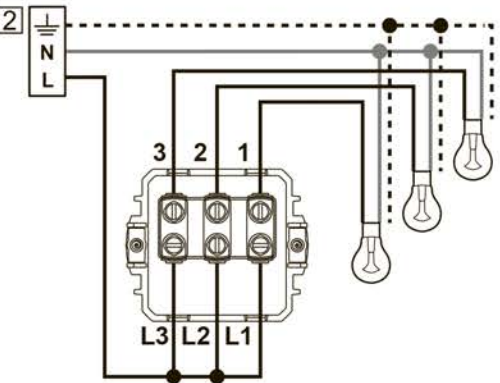


10 AX - 250 B~

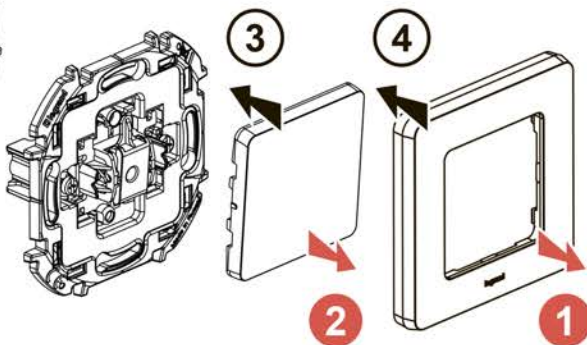
≤ 2,5 mm²

10 mm

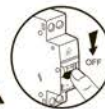
2



6 736 50/51/52/53



1

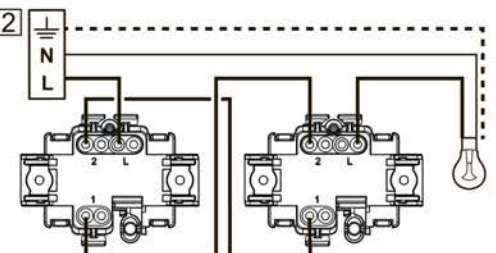


10 AX, 250 B~

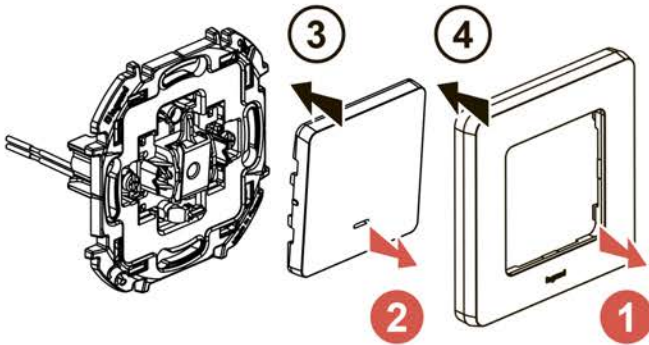
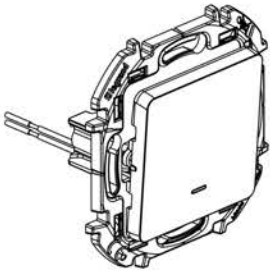
≤ 2,5 mm²

13 mm

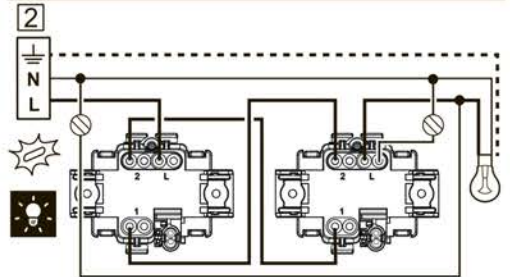
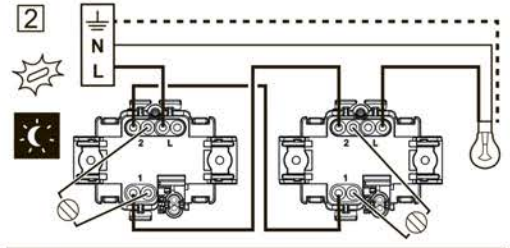
2



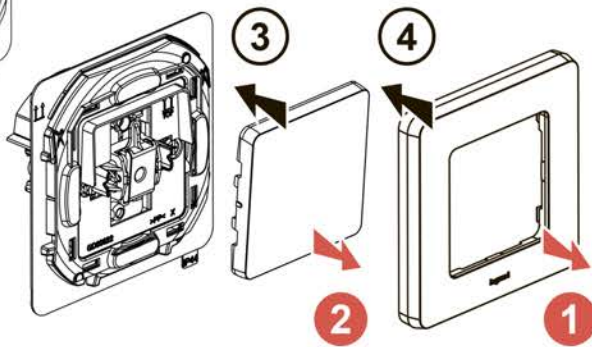
6 736 60/61/62/63



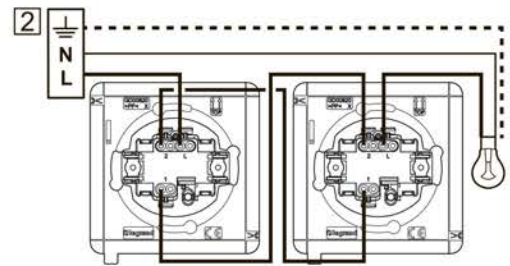
1 **10 AX, 250 B~**
 $\leq 2,5 \text{ mm}^2$
 13 MM



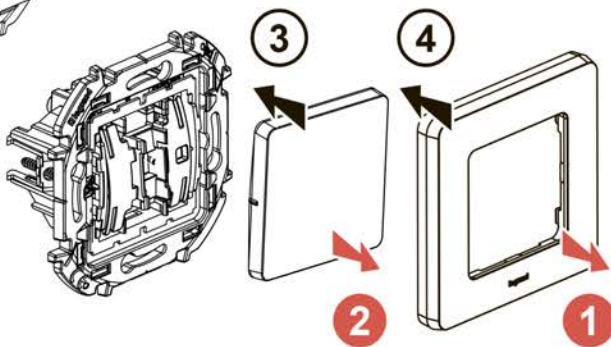
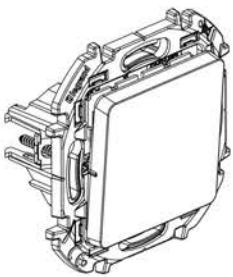
6 736 70/71/72/73



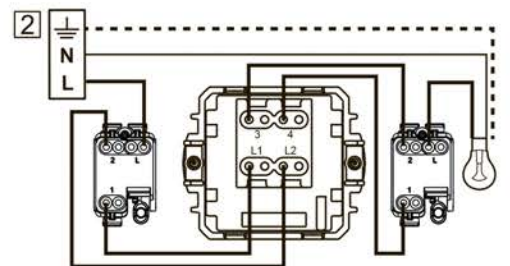
1 **10 AX, 250 B~, IP44**
 $\leq 2,5 \text{ mm}^2$
 13 MM



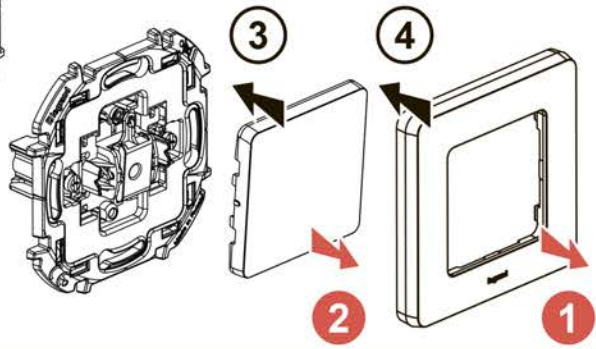
6 736 80/81/82/83



1 **10 AX, 250 B~**
 $\leq 2,5 \text{ mm}^2$
 10 MM



6 736 90/91/92/93



1

6 A, 250 B~
≤ 2,5 MM ²
13 MM

