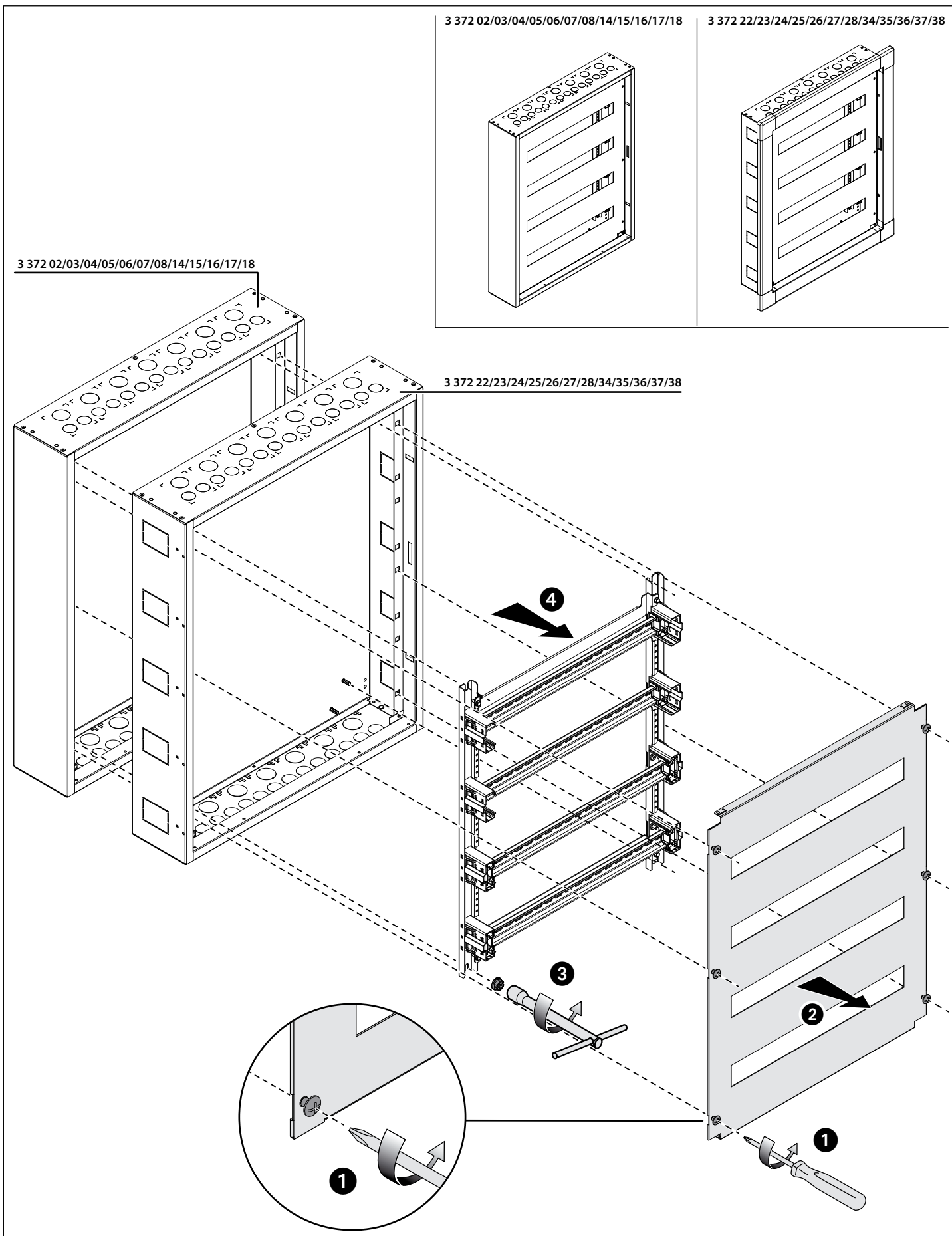
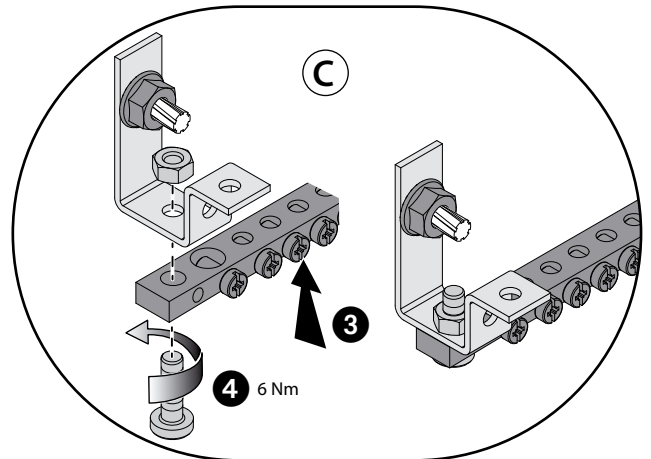
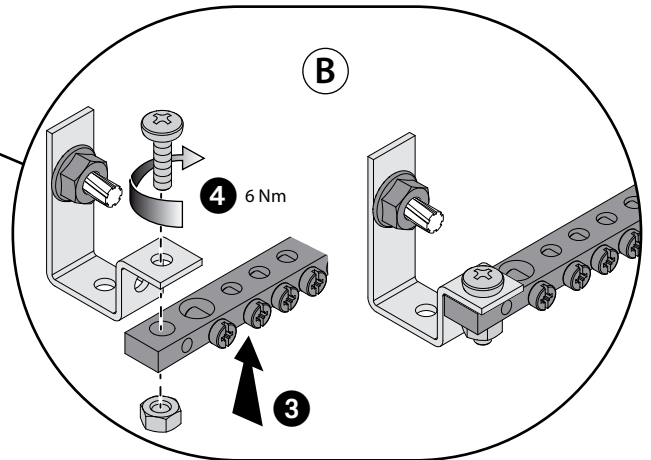
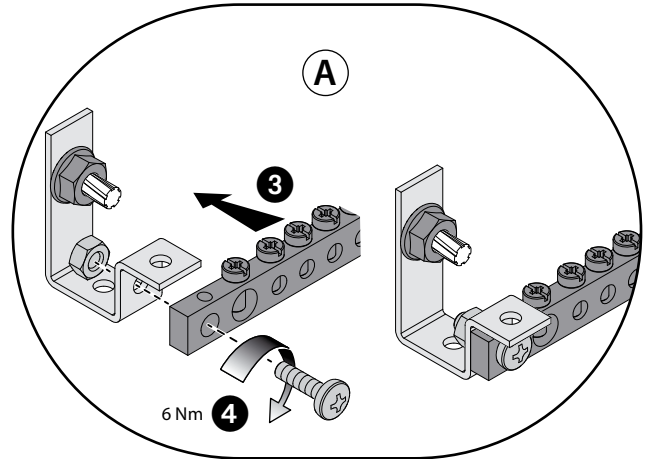
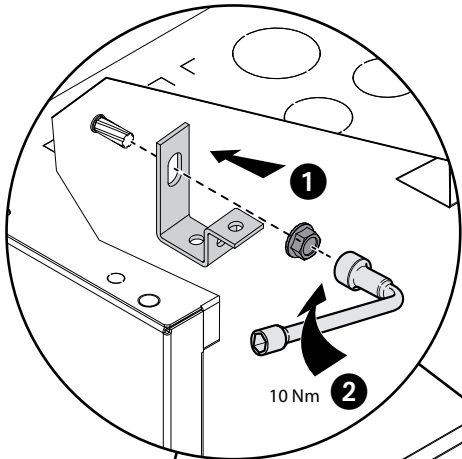
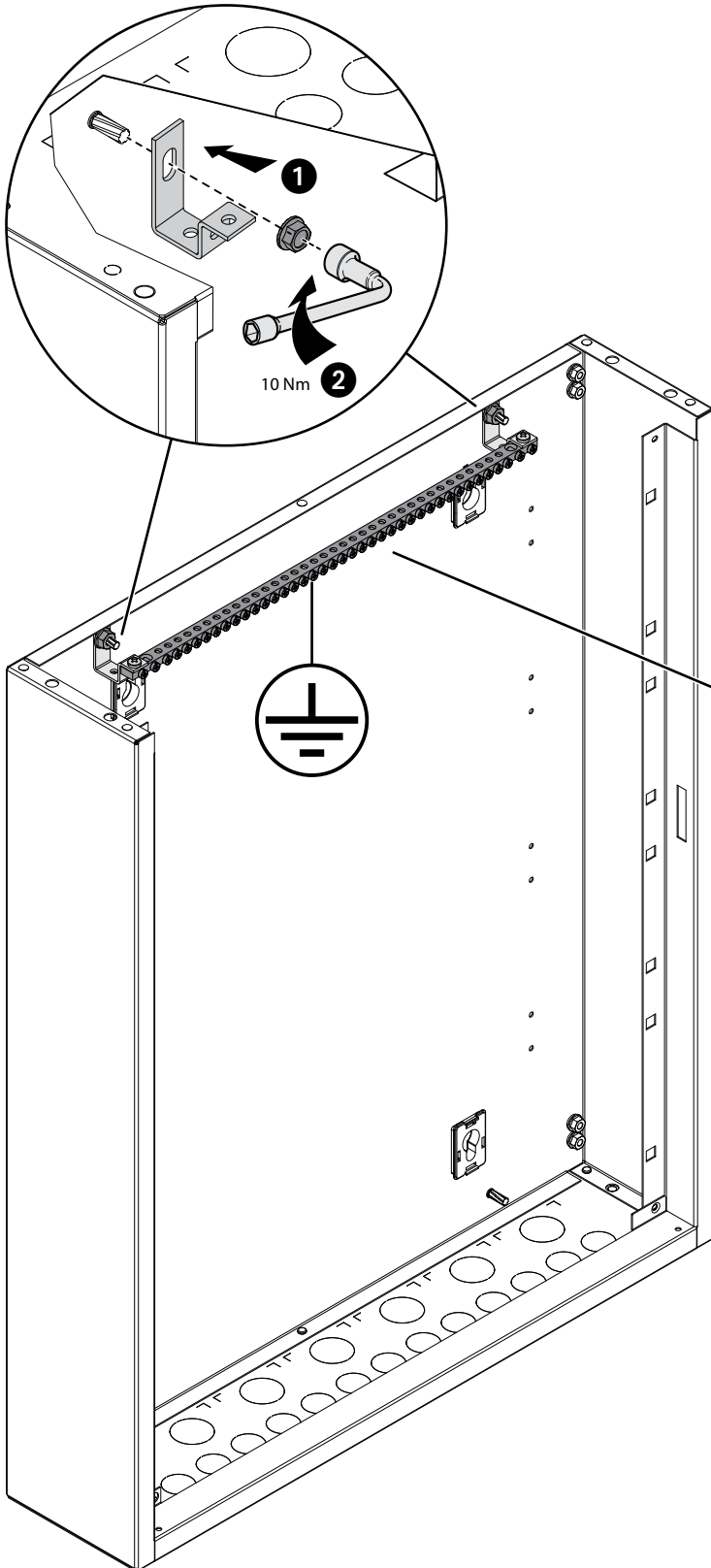
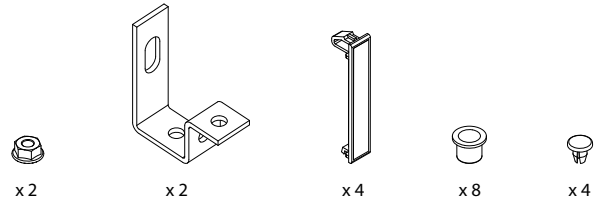
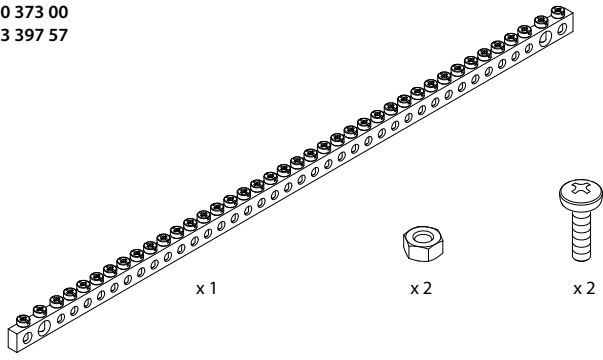


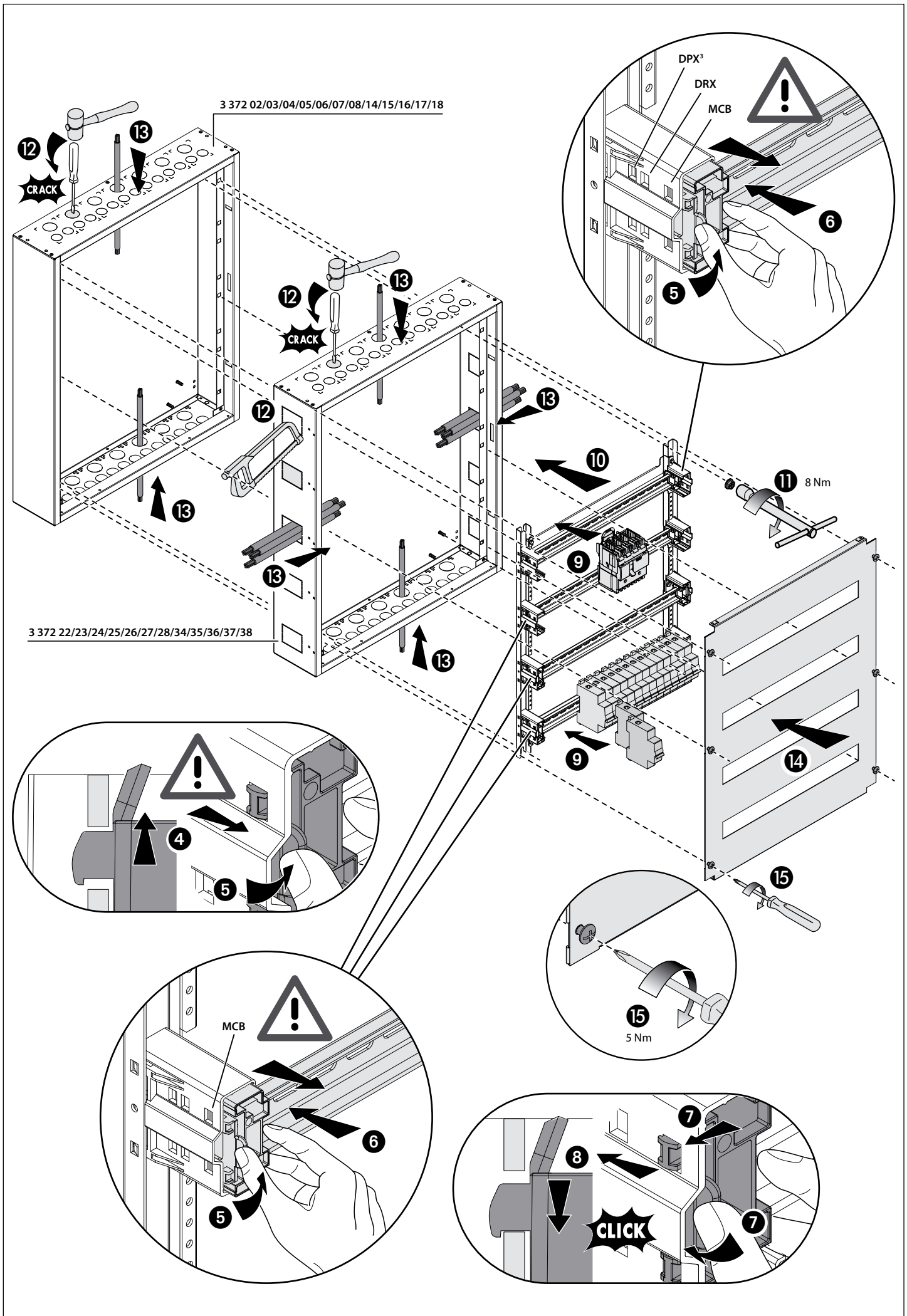
3 372 02/03/04/05/06/07/08/14/15/16/17/18
3 372 22/23/24/25/26/27/28/34/35/36/37/38



3 372 02/03/04/05/06/07/08/14/15/16/17/18
3 372 22/23/24/25/26/27/28/34/35/36/37/38

0 373 00
3 397 57





3 372 02/03/04/05/06/07/08/14/15/16/17/18

3 372 22/23/24/25/26/27/28/34/35/36/37/38

DPX³
DRX
MCB



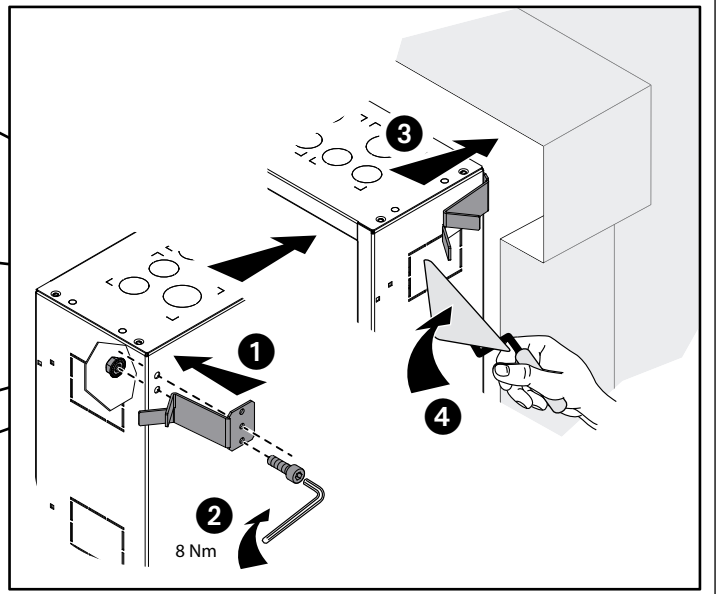
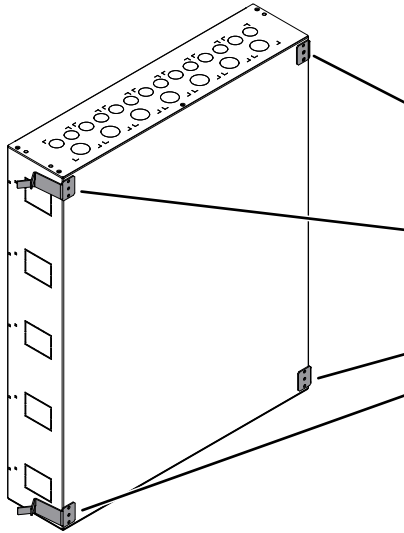
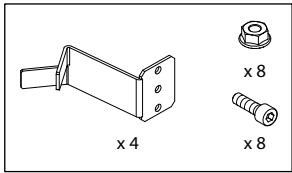
CRACK

CLICK

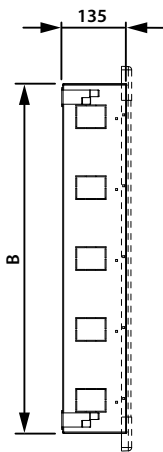
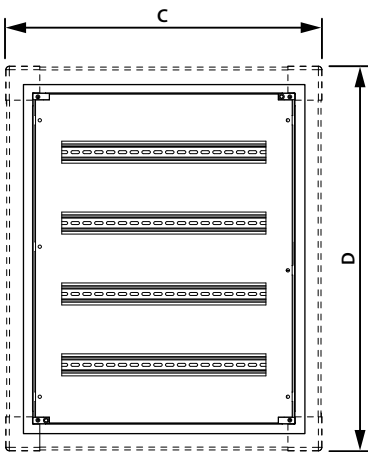
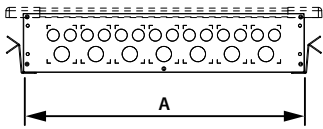
8 Nm

5 Nm

3 372 22/23/24/25/26/27/28/34/35/36/37/38

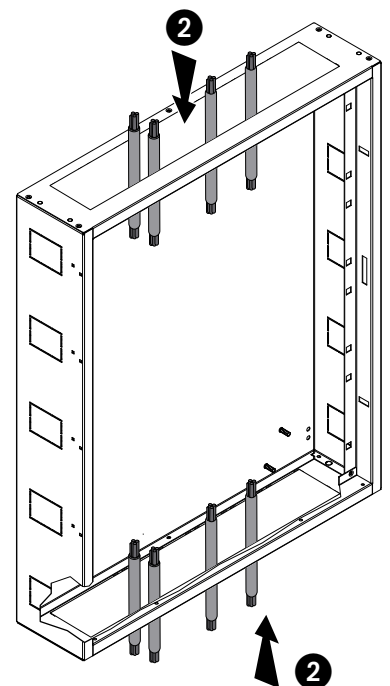
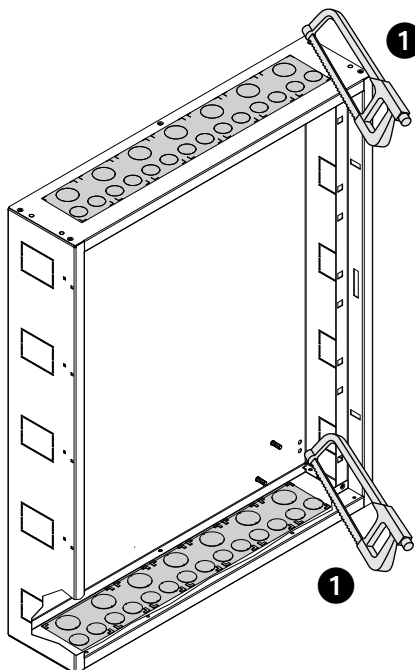
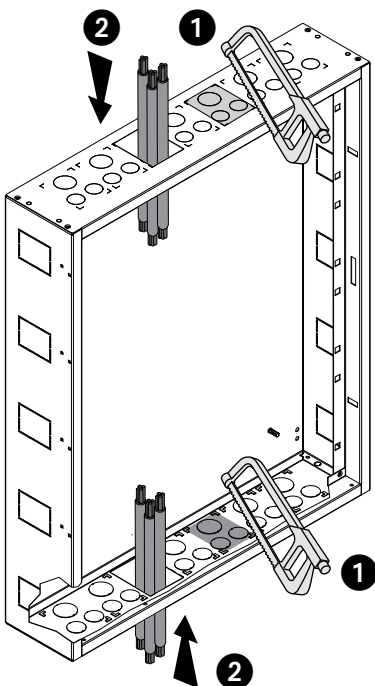


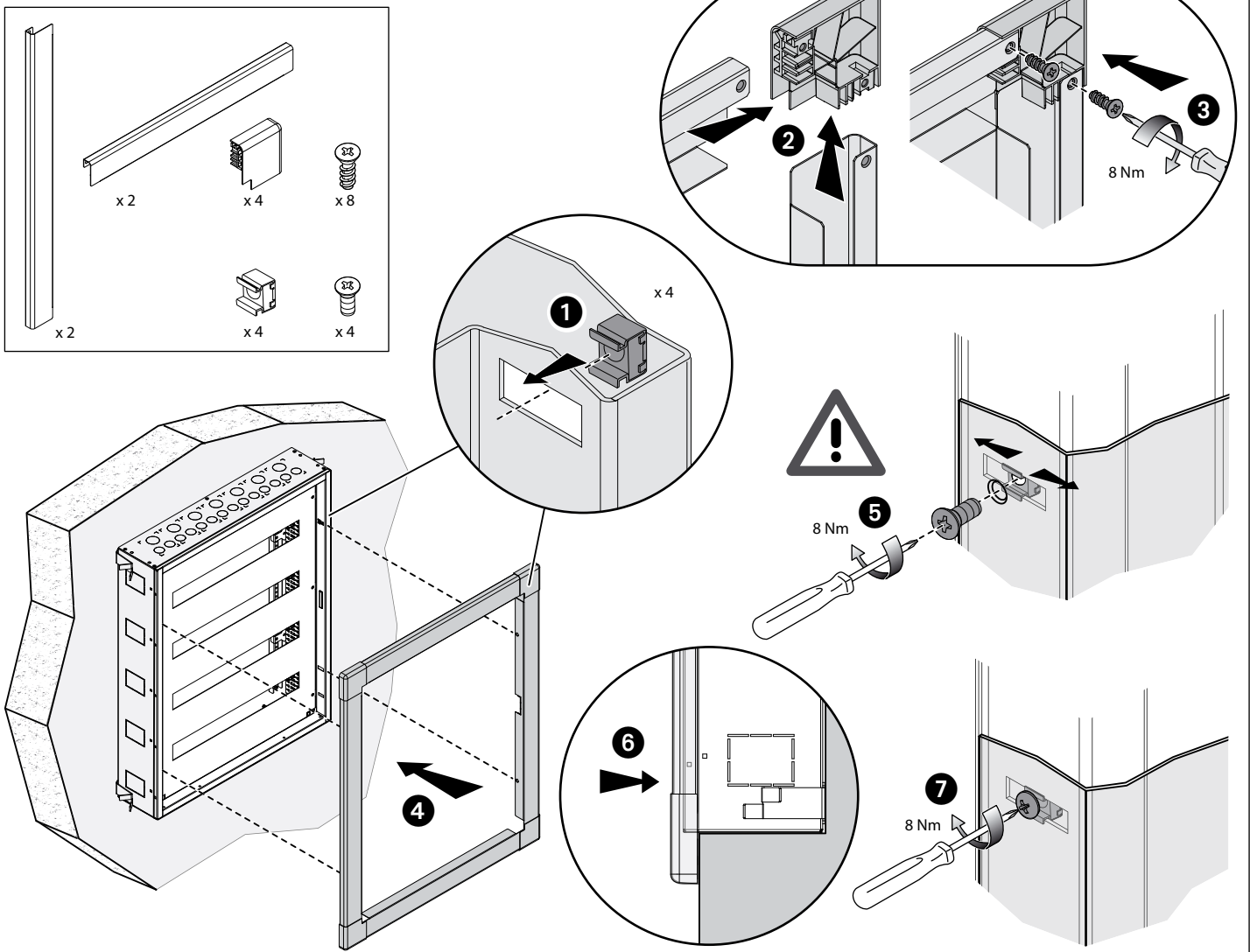
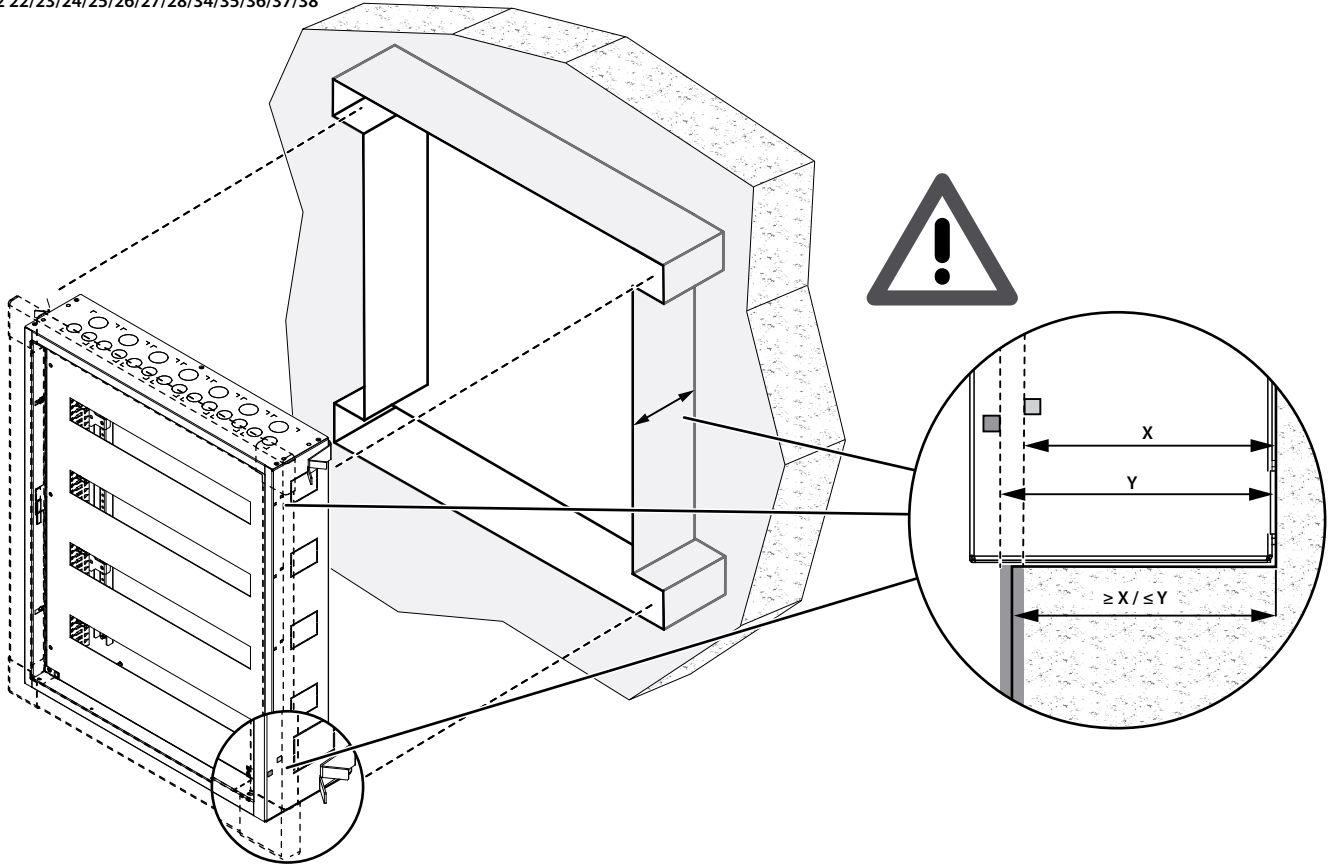
3 372 22/23/24/25/26/27/28/34/35/36/37/38



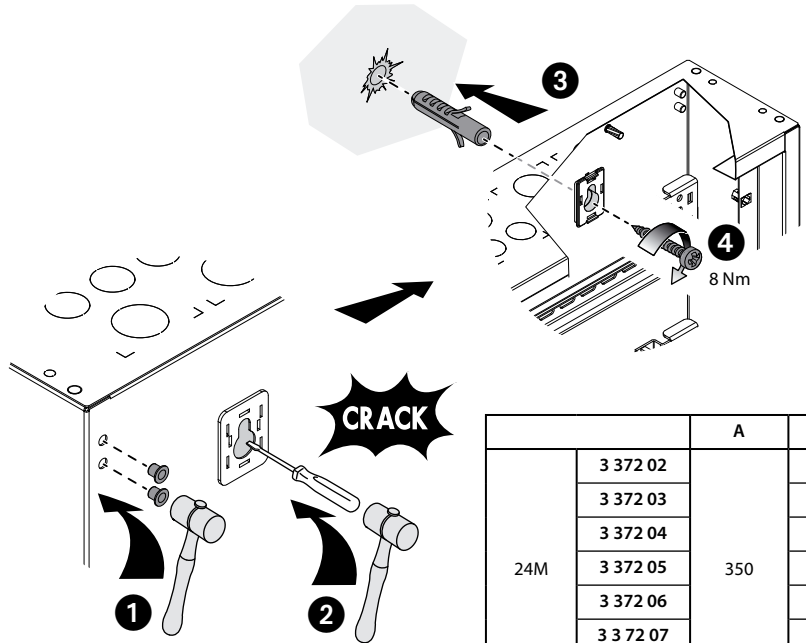
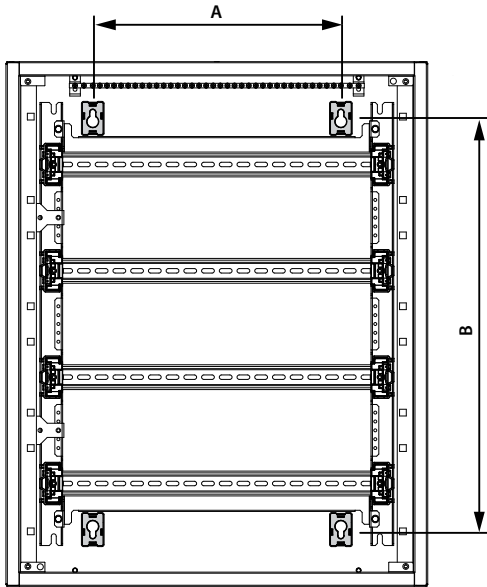
		A	B	C	D
2 x 24M	3 372 22	595	440	665	510
3 x 24M	3 372 23		590		660
4 x 24M	3 372 24		740		810
5 x 24M	3 372 25		890		960
6 x 24M	3 372 26		1040		1110
7 x 24M	3 372 27		1190		1260
8 x 24M	3 372 28		1340		1410
4 x 36M	3 372 34		811		740
5 x 36M	3 372 35	890		960	
6 x 36M	3 372 36	1040		1110	
7 x 36M	3 372 37	1190		1260	
8 x 36M	3 372 38	1340		1410	

3 372 22/23/24/25/26/27/28/34/35/36/37/38



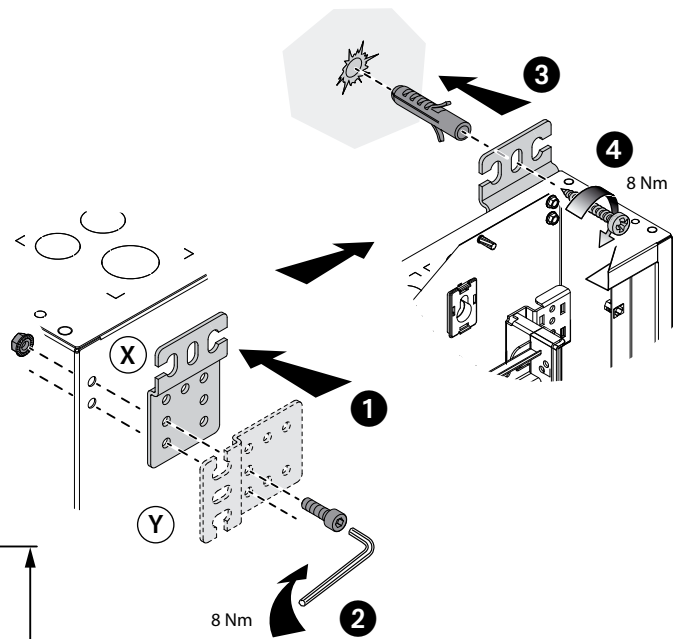
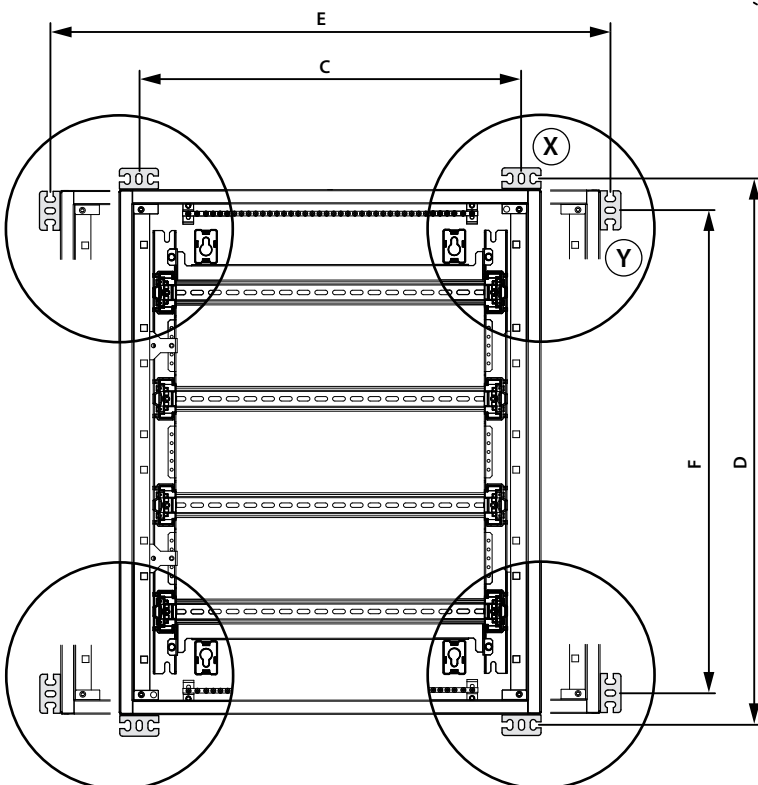
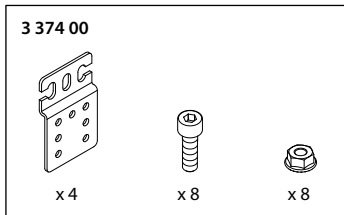


3 372 02/03/04/05/06/07/08/14/15/16/17/18



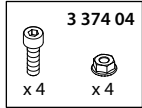
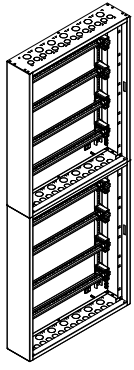
		A	B
24M	3 372 02	350	297
	3 372 03		447
	3 372 04		597
	3 372 05		747
	3 372 06		897
	3 372 07		1047
	3 372 08		1197
	36M		3 372 14
3 372 15		747	
3 372 16		897	
3 372 17		1047	
3 372 18		1197	

3 372 02/03/04/05/06/07/08/14/15/16/17/18

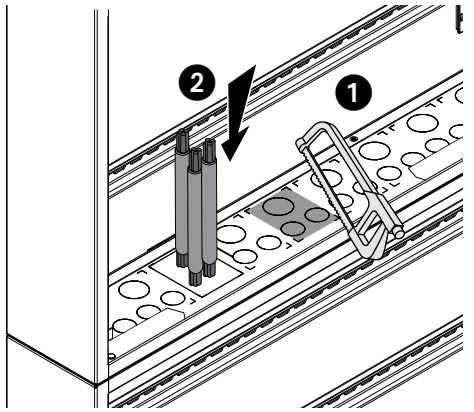


		C	D	E	F
24M	3 372 02	540	468	625	383
	3 372 03		618		533
	3 372 04		768		683
	3 372 05		918		833
	3 372 06		1068		983
	3 372 07		1218		1133
	3 372 08		1368		1283
	36M		3 372 14		756
3 372 15		918	833		
3 372 16		1068	983		
3 372 17		1218	1133		
3 372 18		1368	1283		

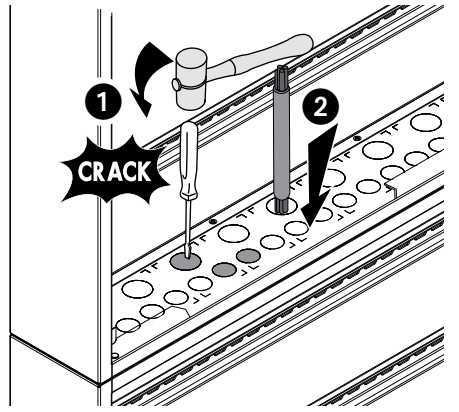
3 372 02/03/04/05/06/07/08/14/15/16/17/18



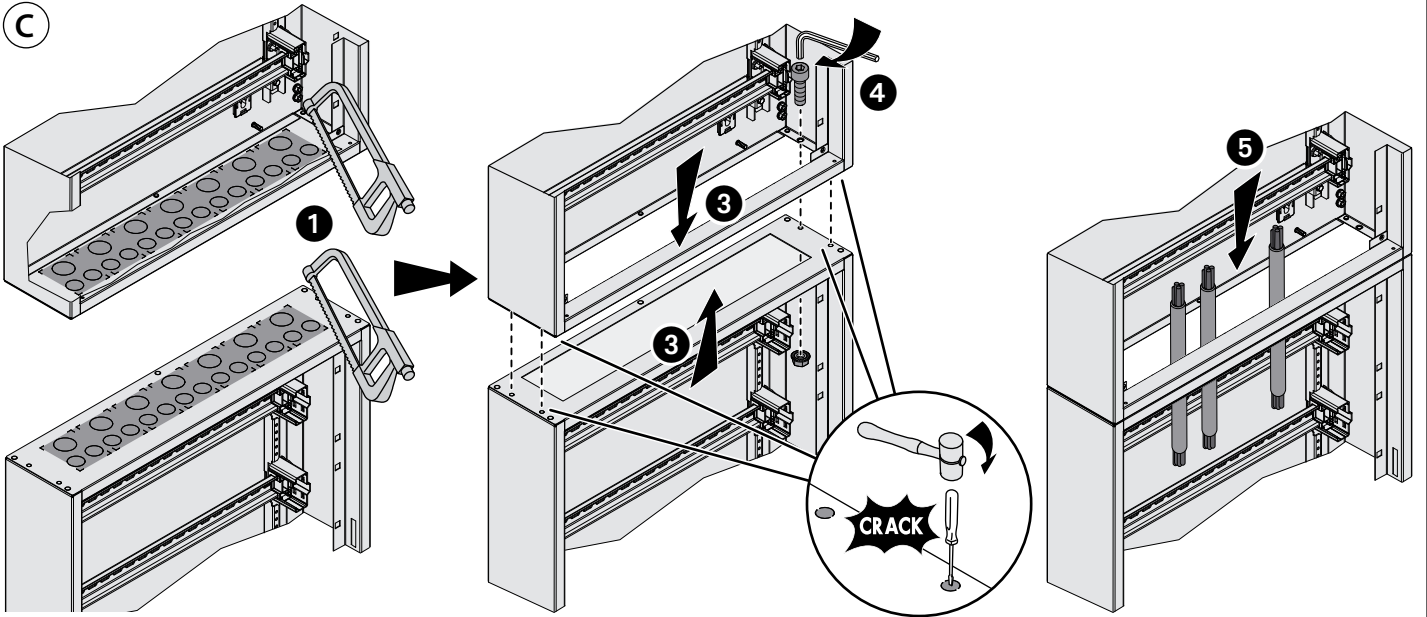
A



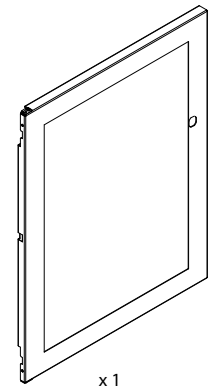
B



C

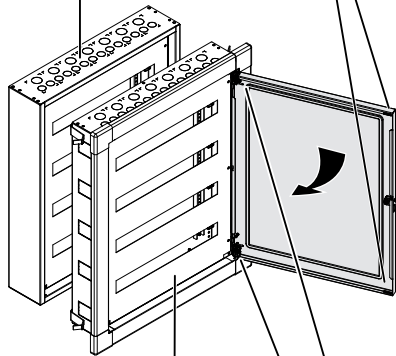


3 372 52, ..., 3 372 58
3 372 64, ..., 3 372 68

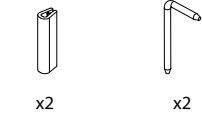
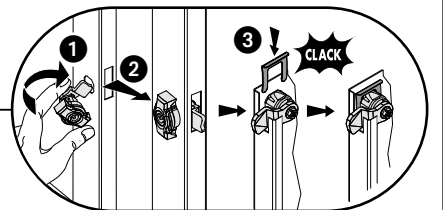
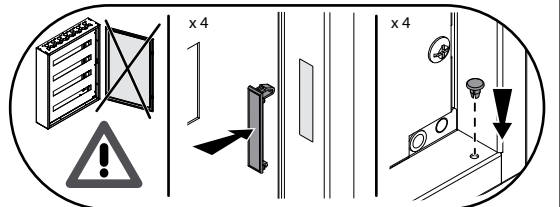


x1

3 372 02/03/04/05/06/07/08
3 372 14/15/16/17/18



3 372 22/23/24/25/26/27/28
3 372 34/35/36/37/38



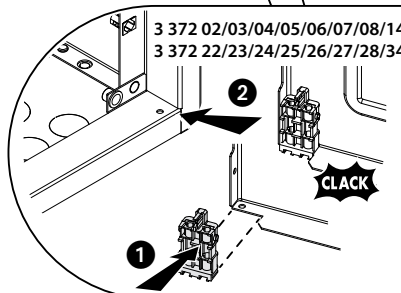
x2

x2



x1

x2



3 372 02/03/04/05/06/07/08/14/15/16/17/18
3 372 22/23/24/25/26/27/28/34/35/36/37/38

