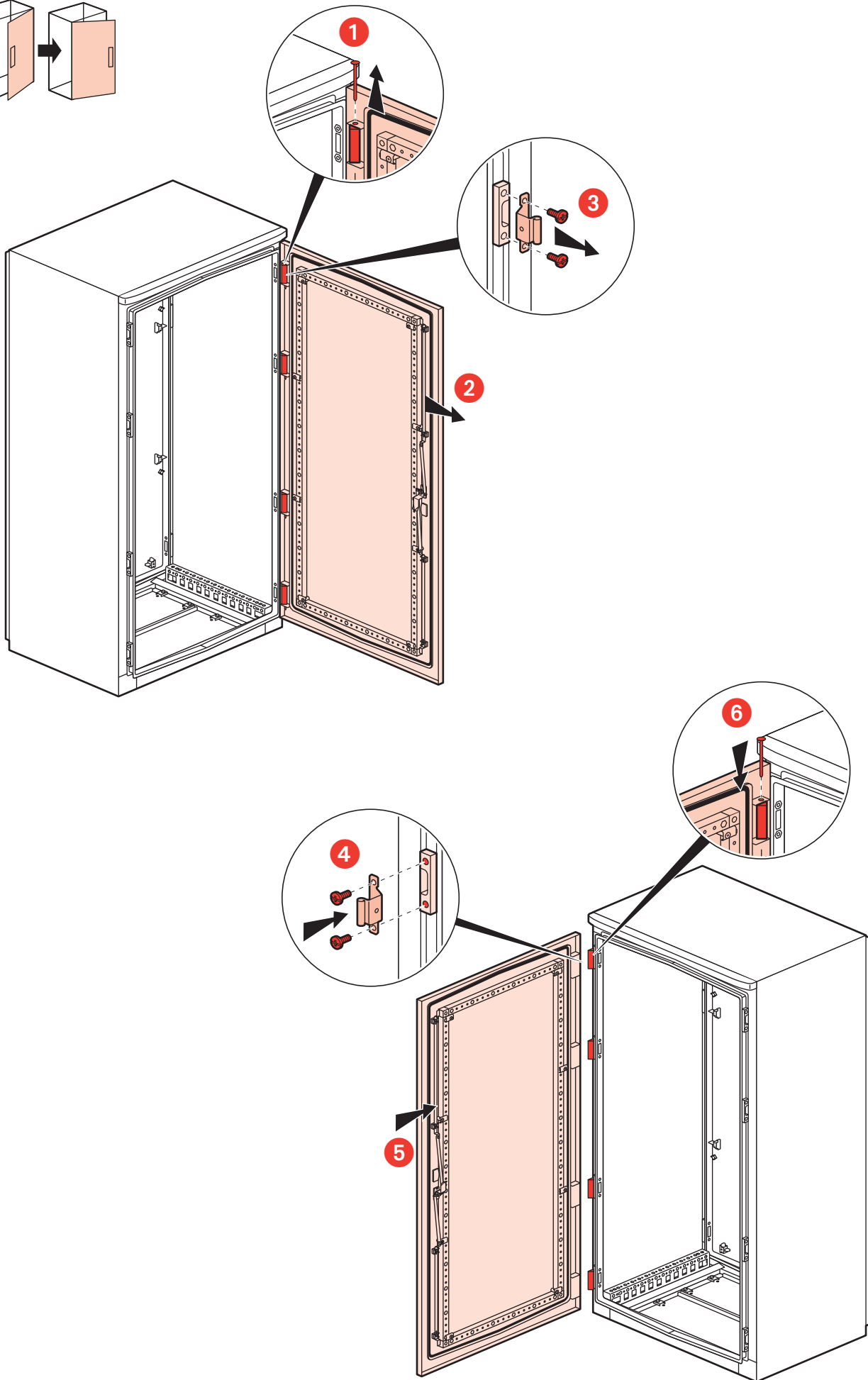
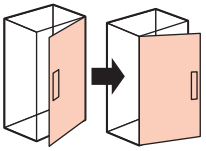
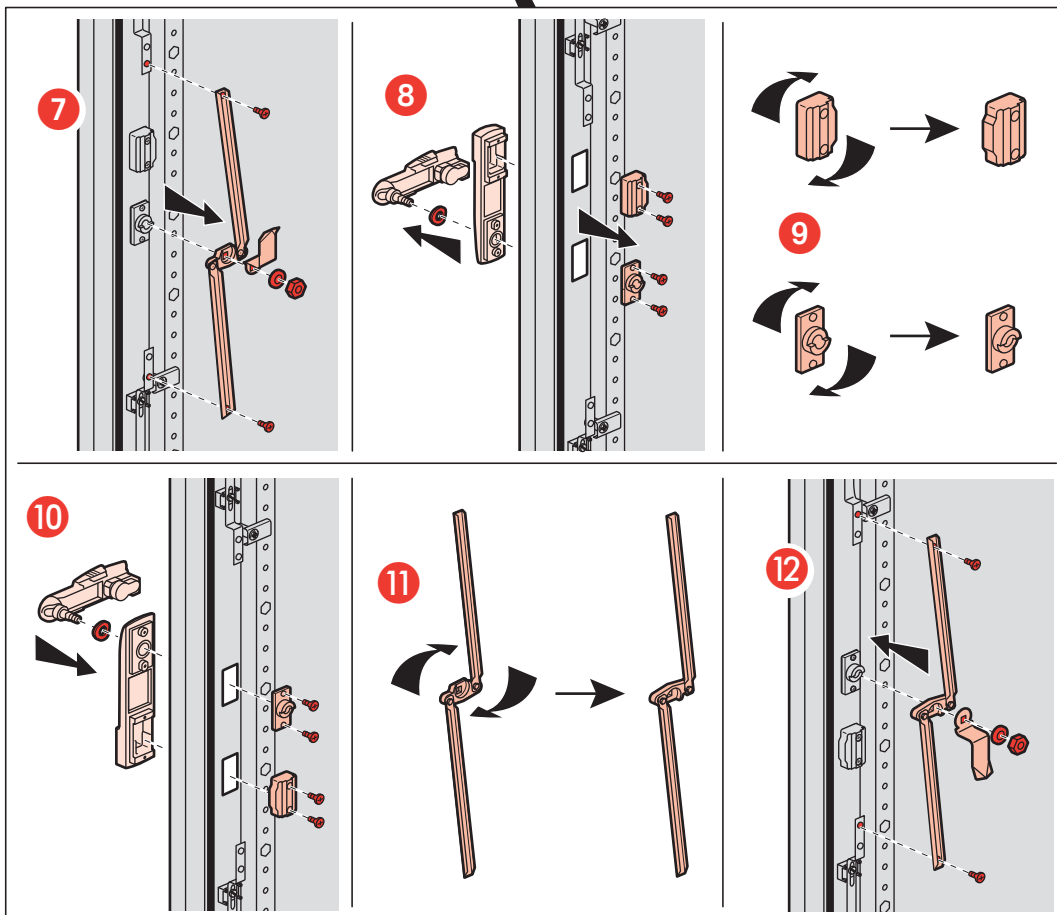
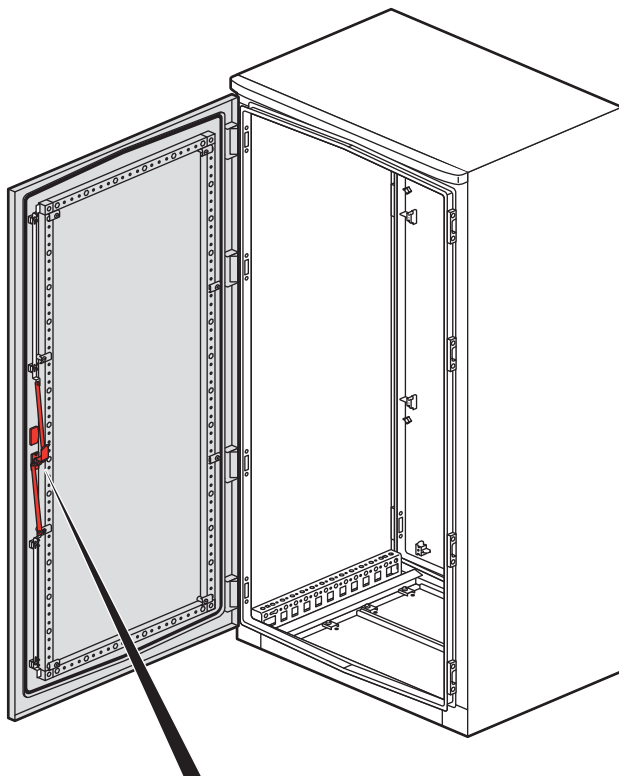
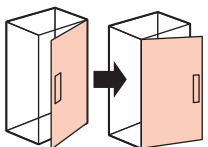
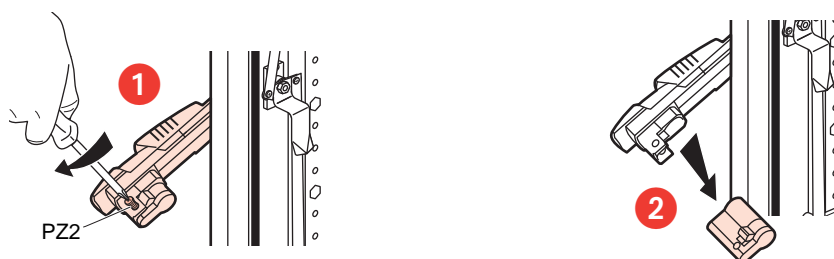
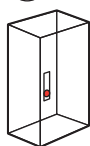


A

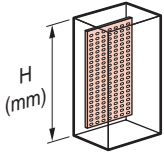
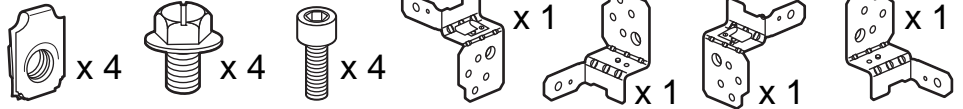
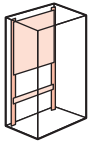




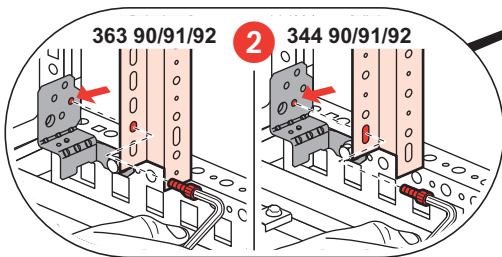
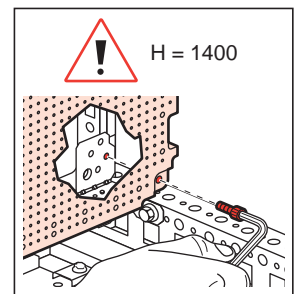
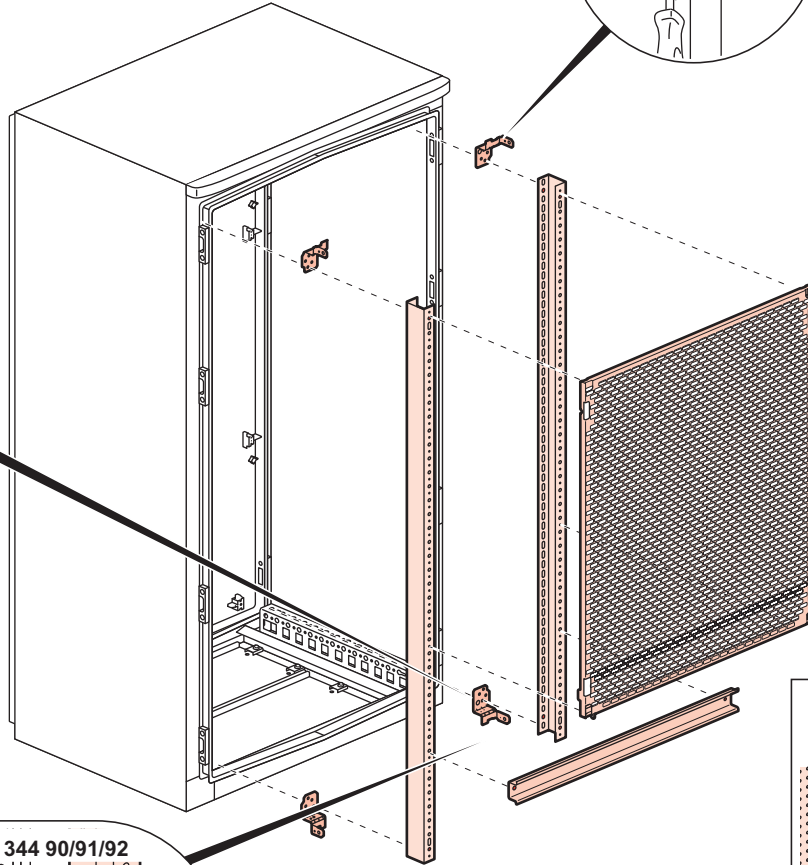
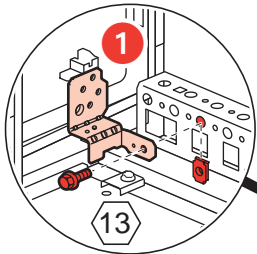
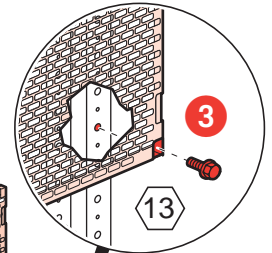
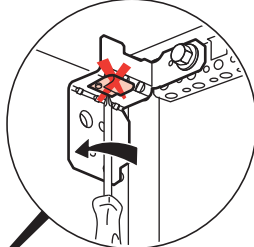
(B)



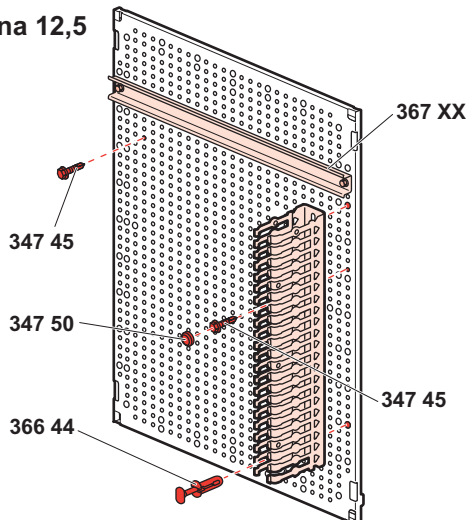
C



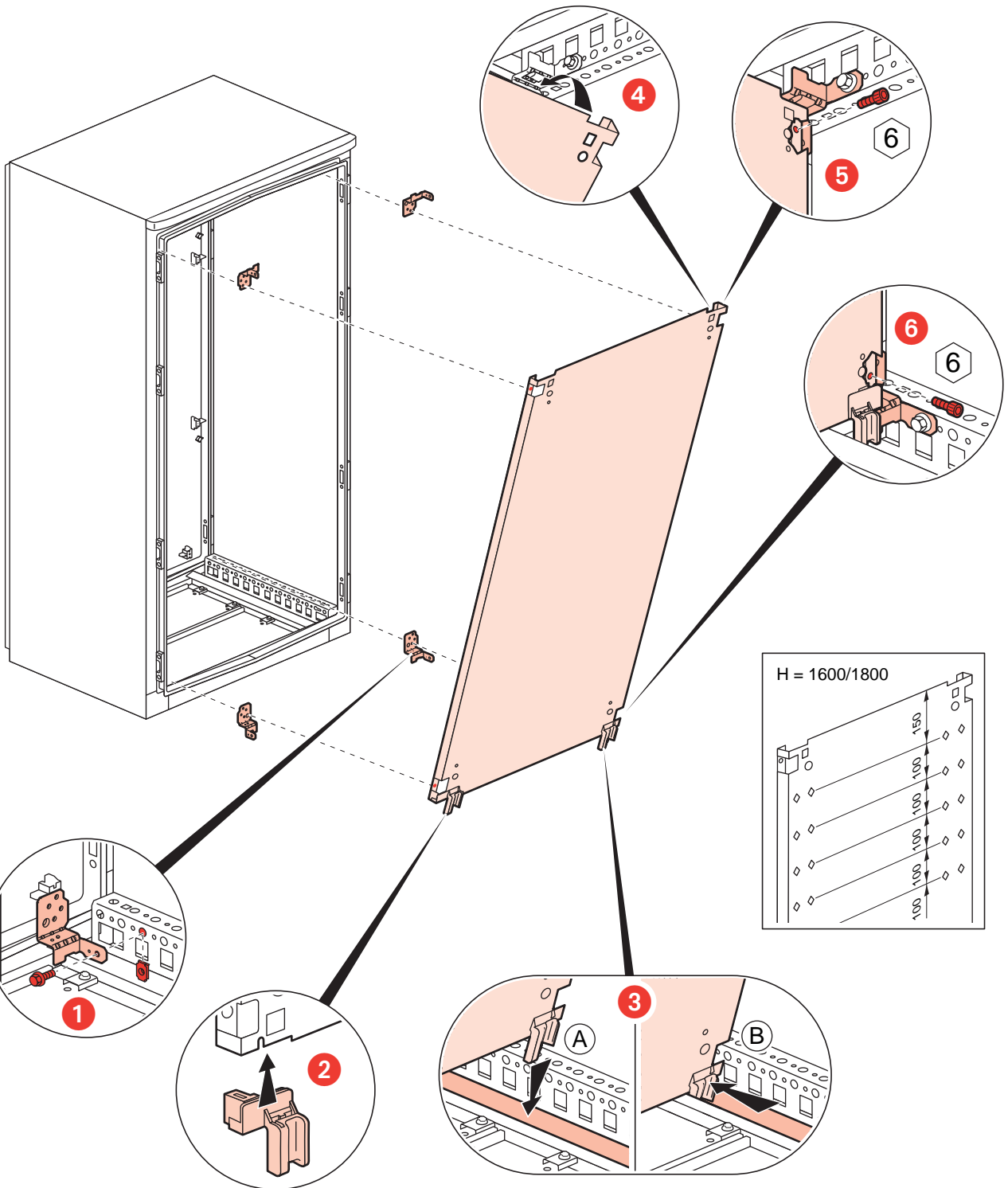
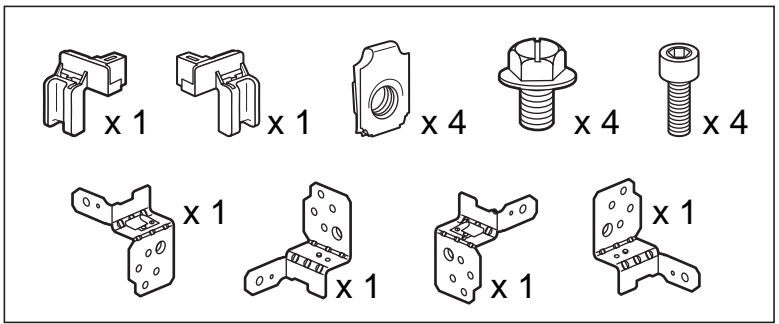
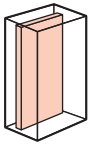
H = 1400	H = 1600	H = 1800



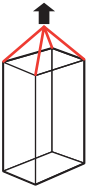
Lina 12,5



D



E



362 46



x 4



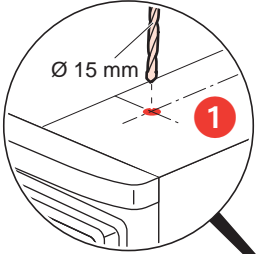
x 4



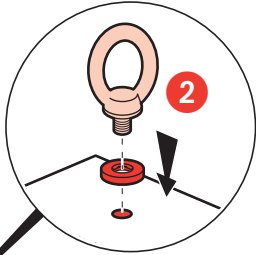
x 4



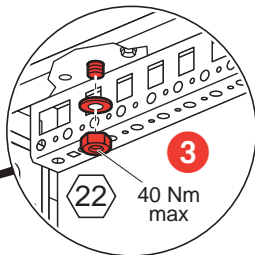
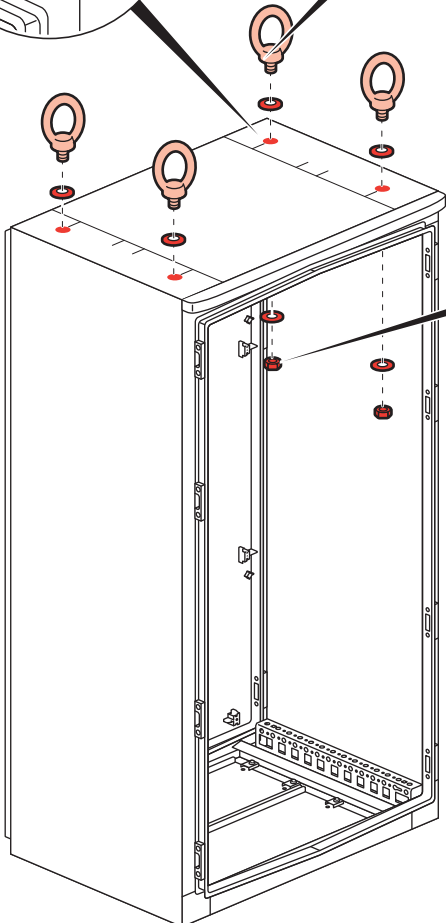
x 4



1

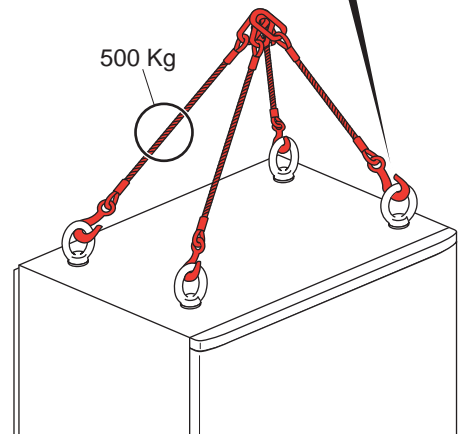
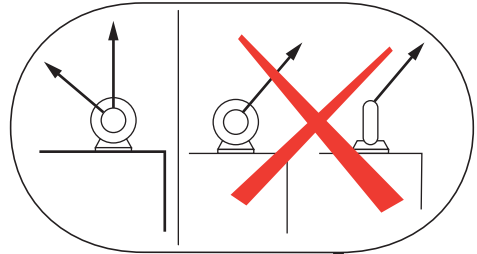


2



3

22 40 Nm max

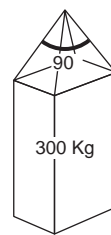


500 Kg



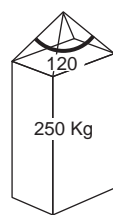
60

300 Kg



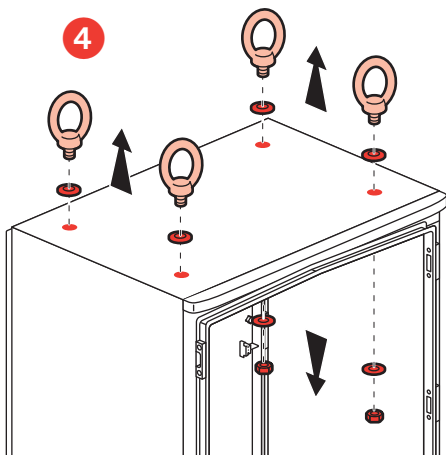
90

300 Kg

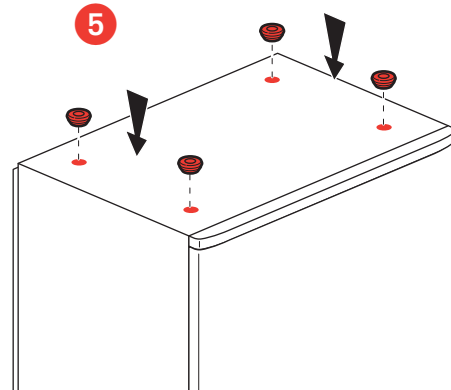


120

250 Kg

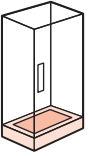


4

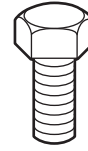
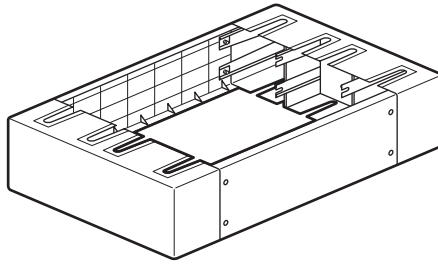


5

F



362 96



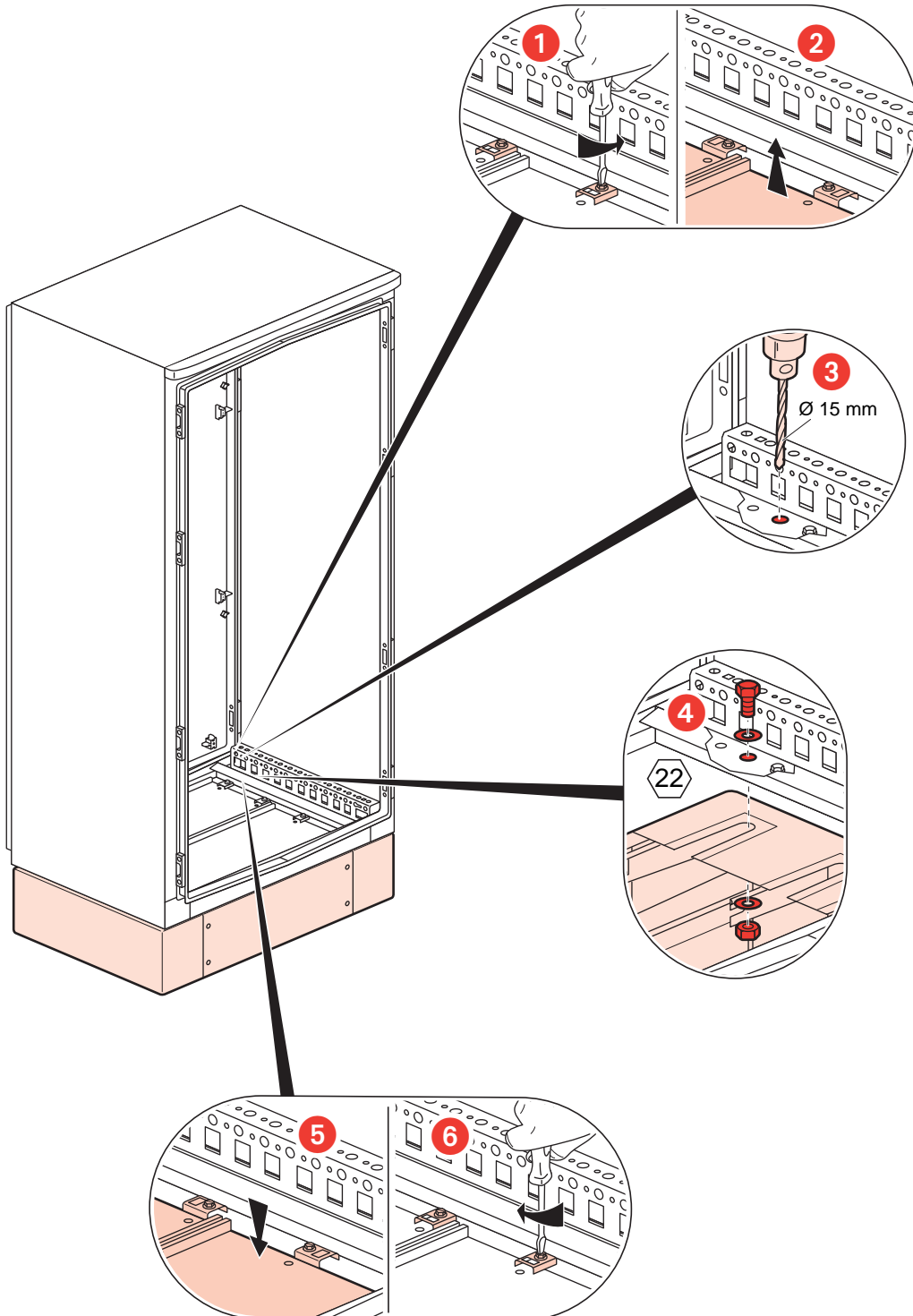
x 4



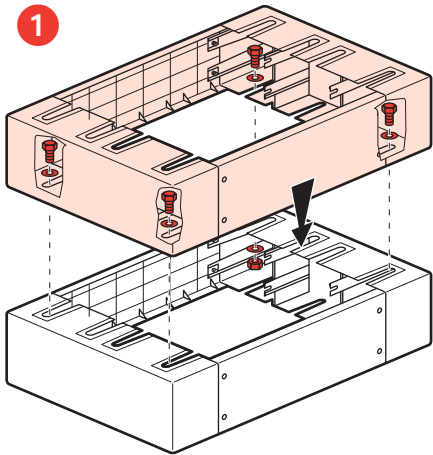
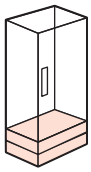
x 4



x 8



F₁



2

