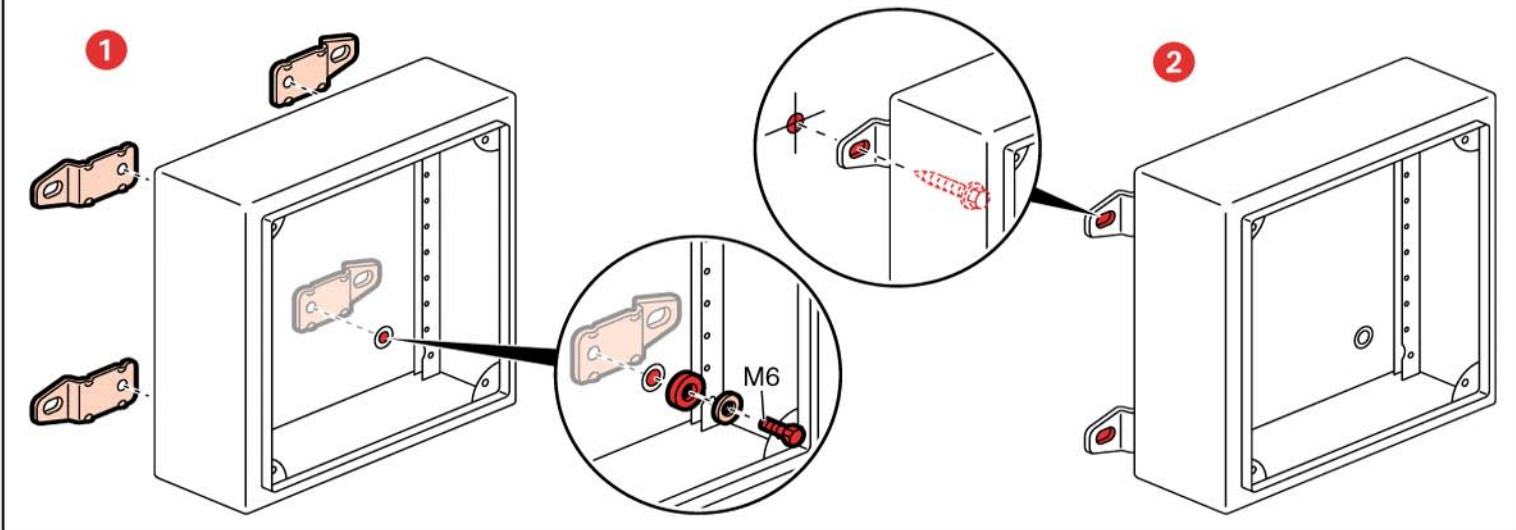
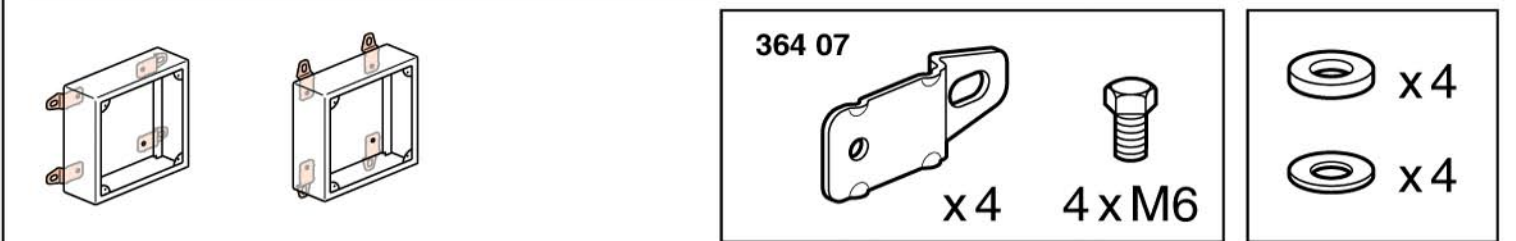
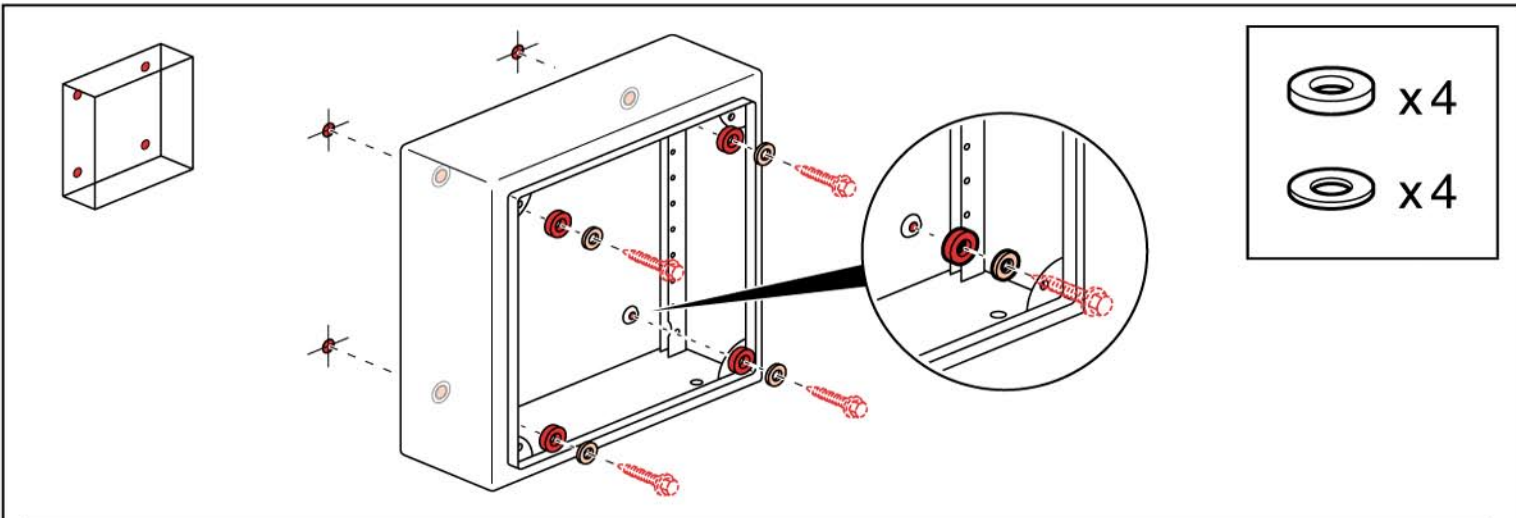
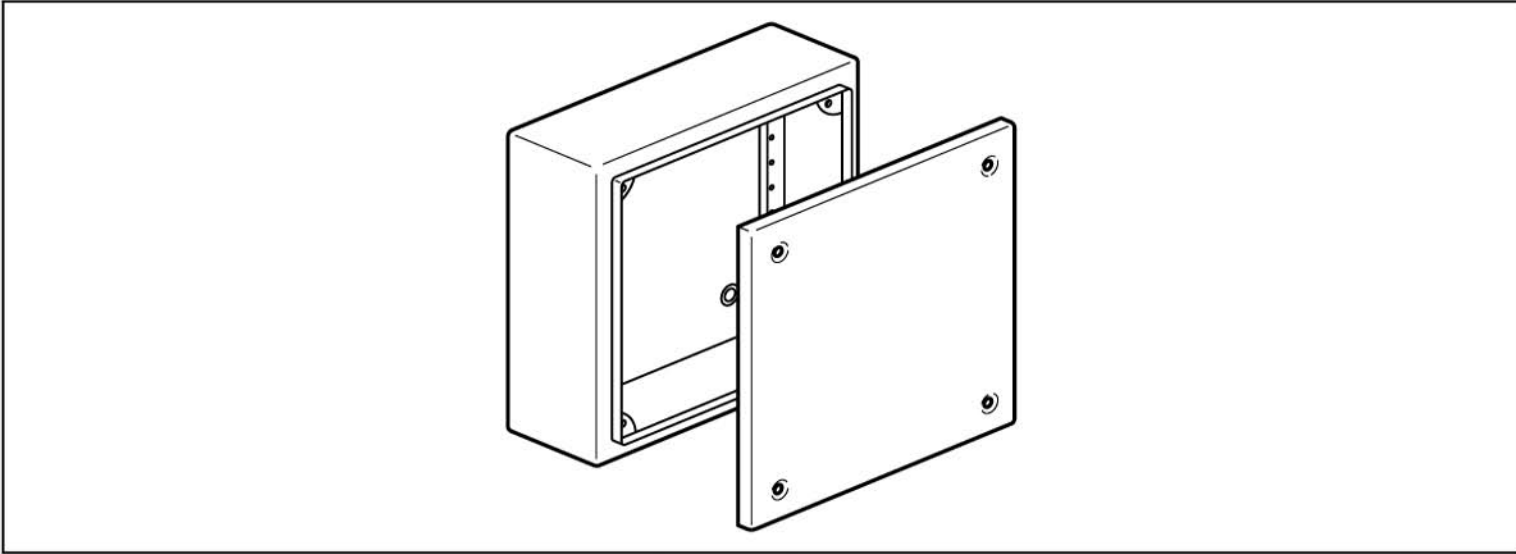
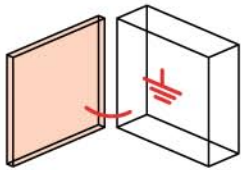
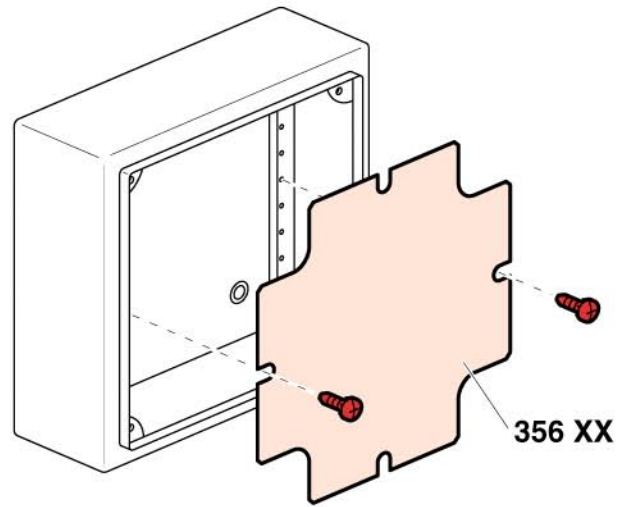
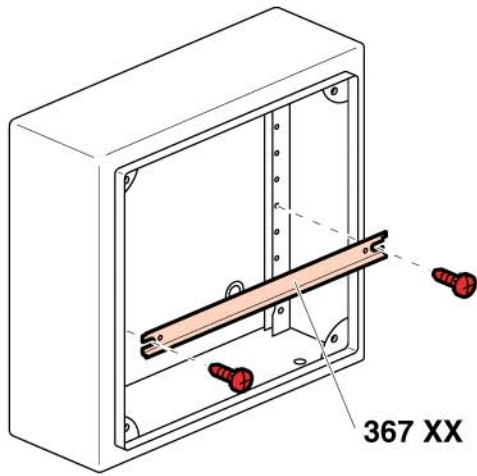
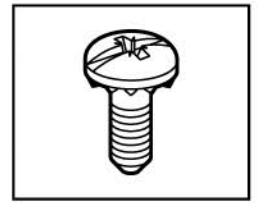
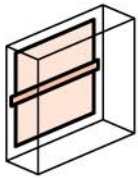


NT 041 558/00





x2



x4/x6



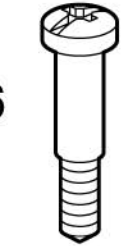
M6x2



x1

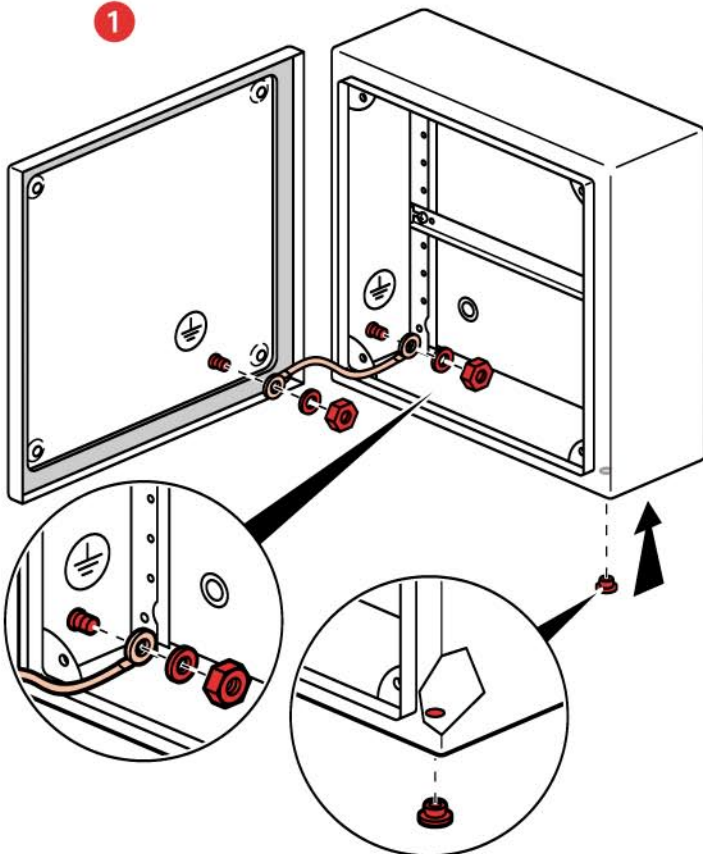


x2



x4/x6

1



2

