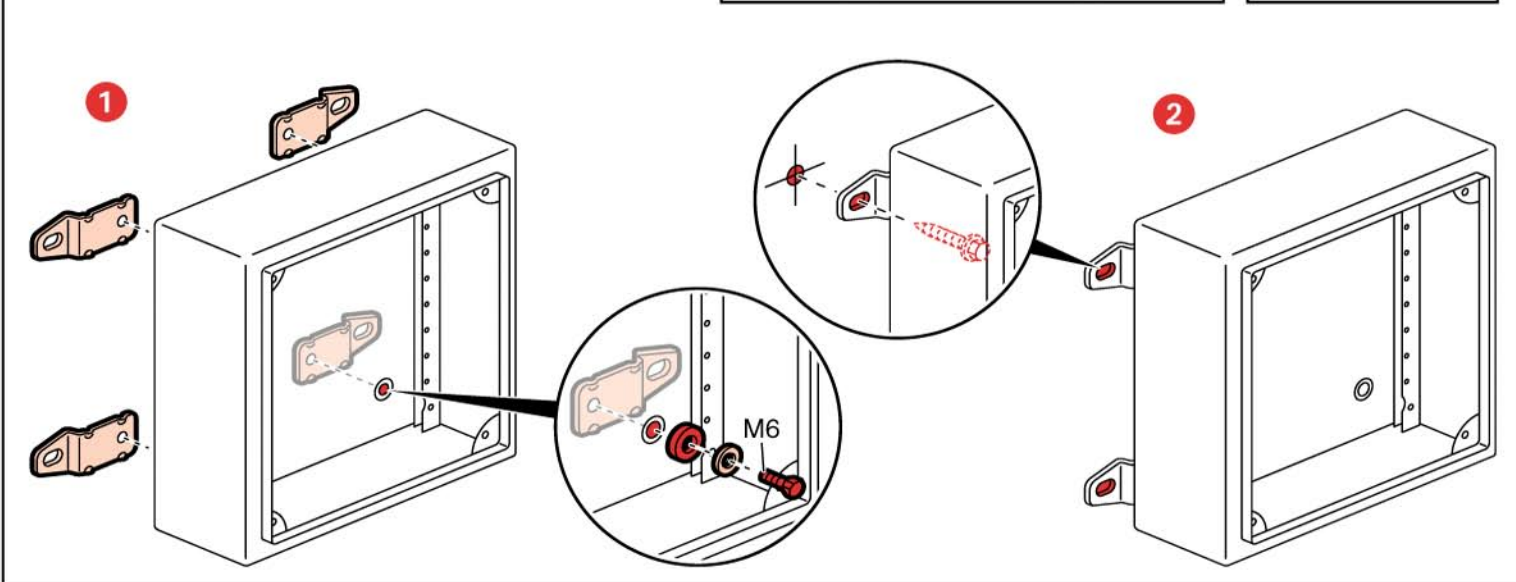
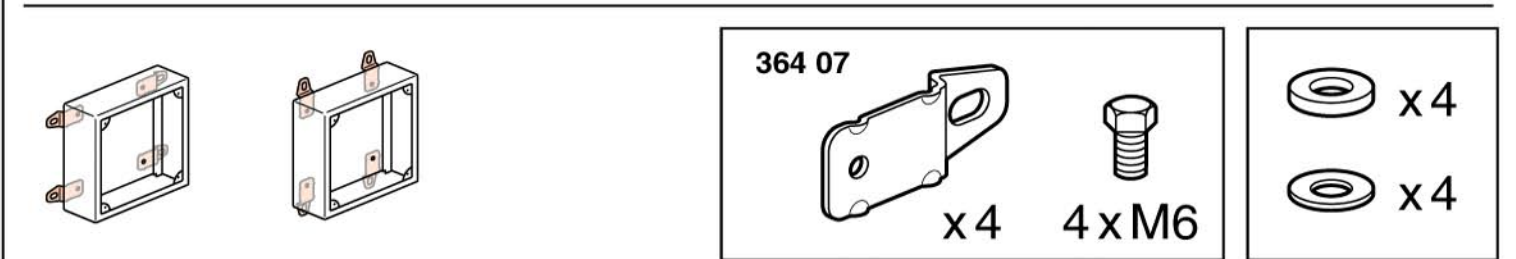
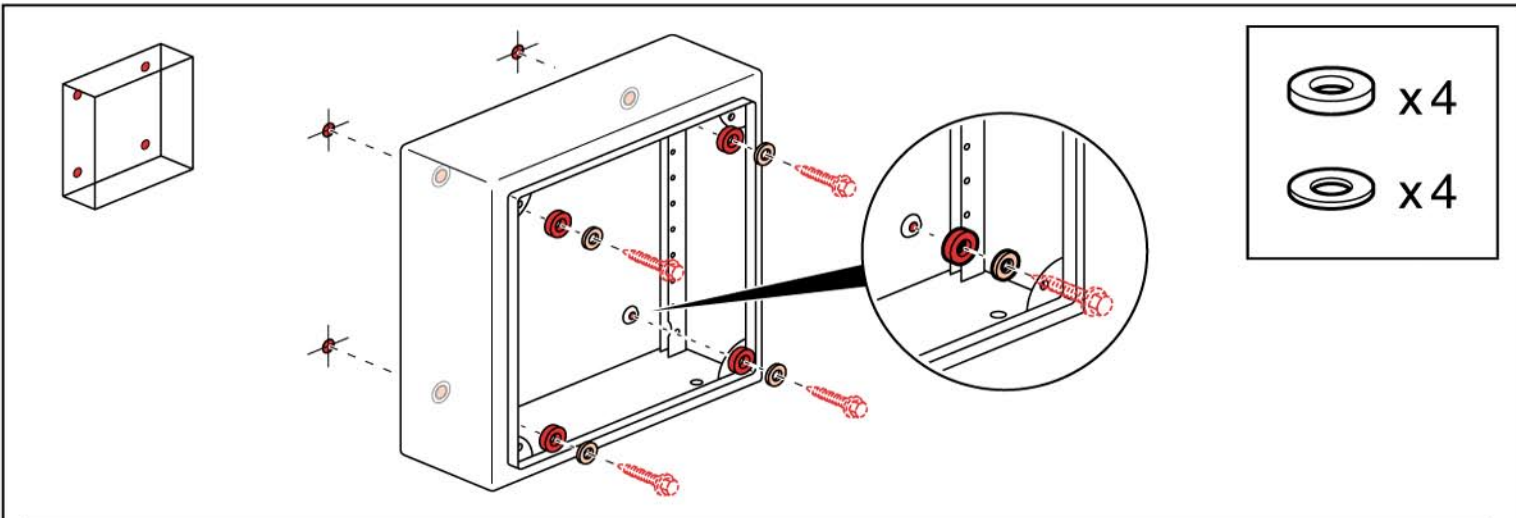
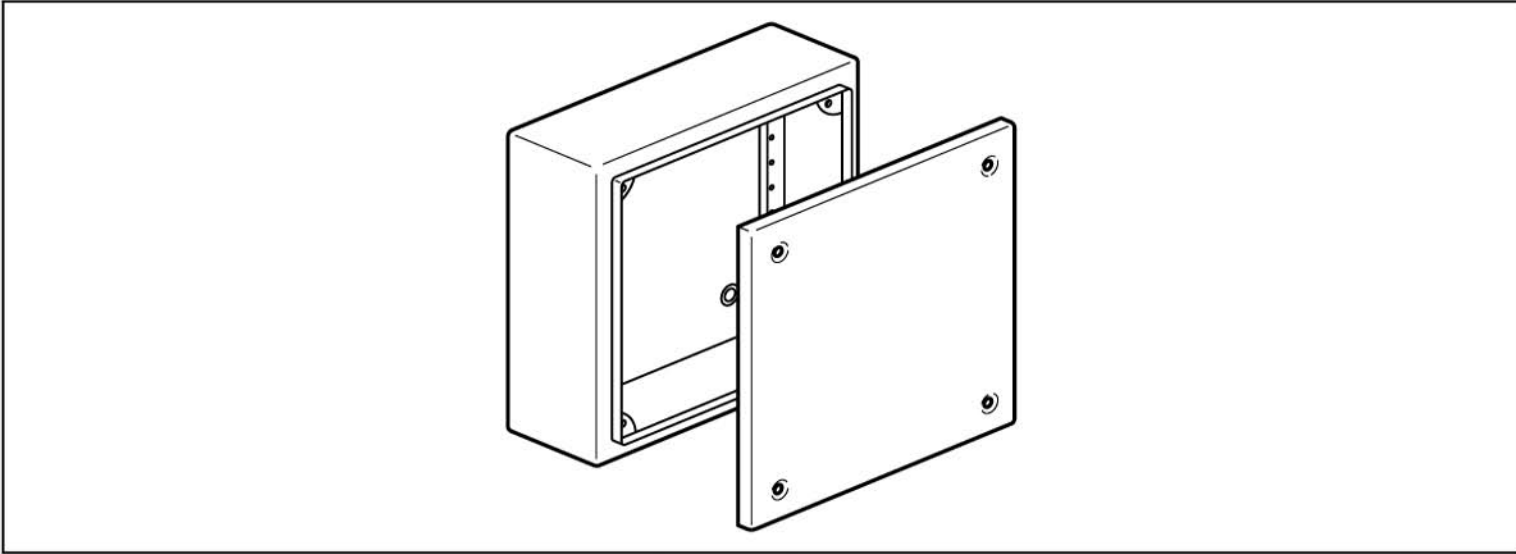
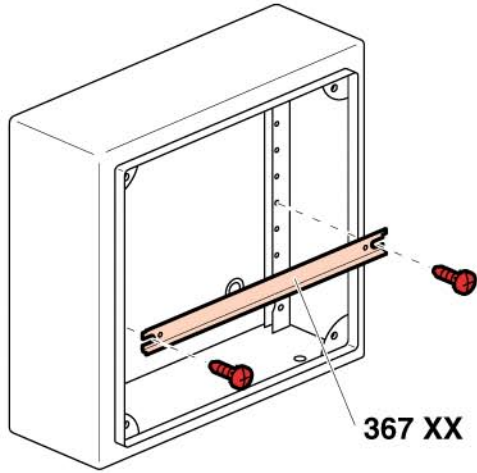
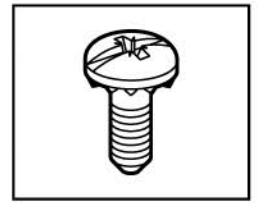
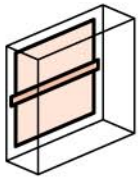
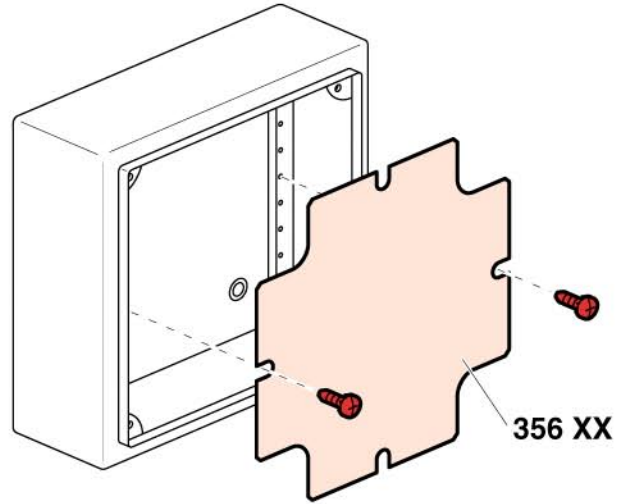


NT 041 558/00

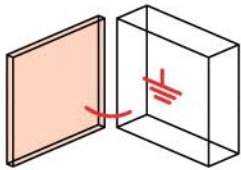




367 XX



356 XX



x2



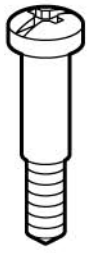
x4/x6



M6x2



x1

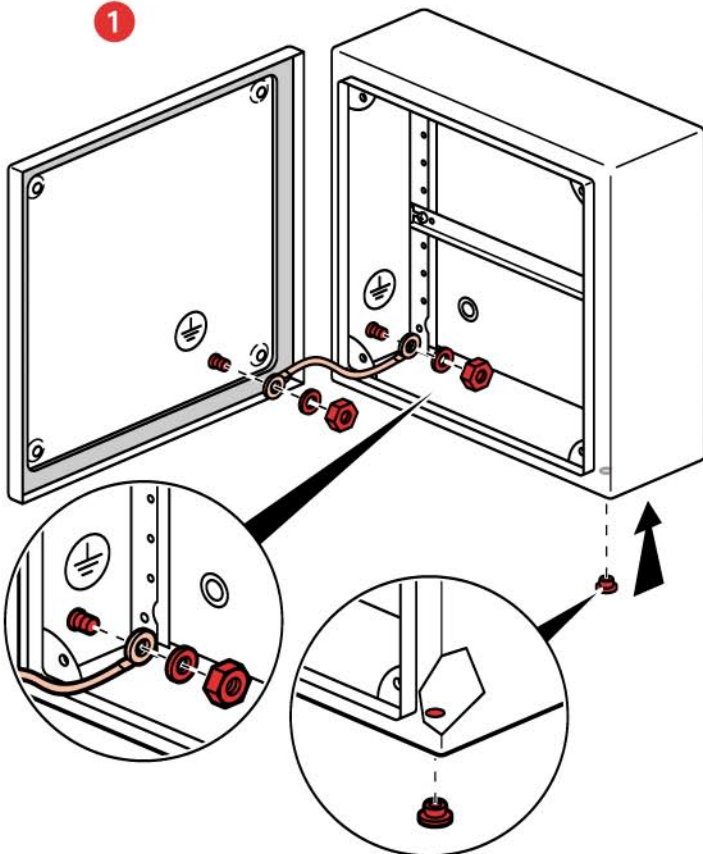


x4/x6



x2

1



2

