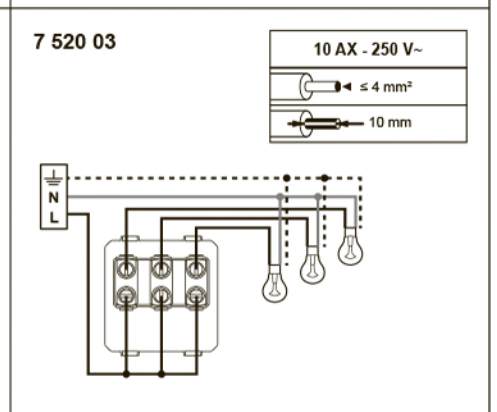
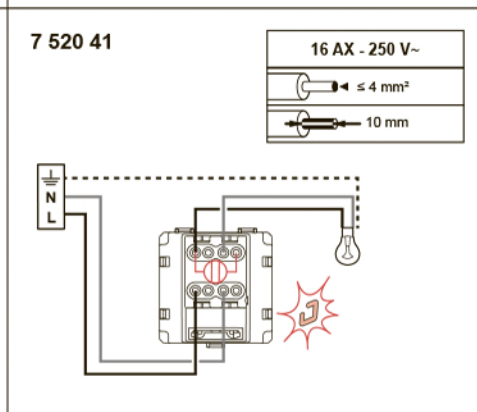
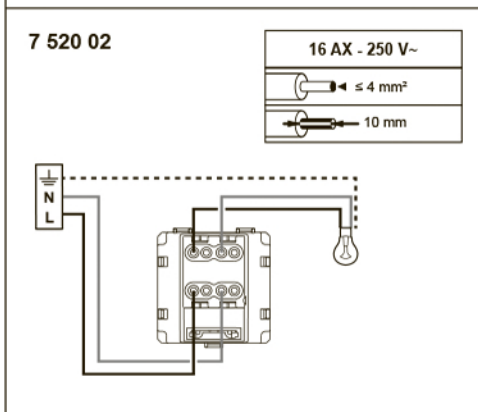
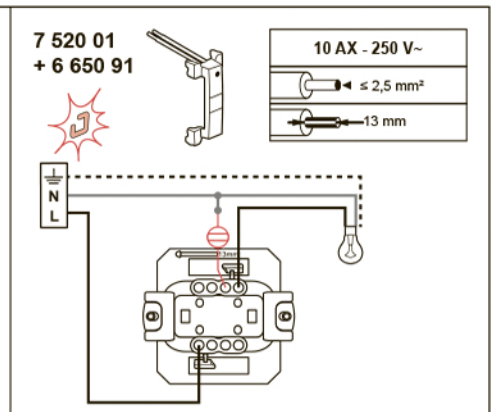
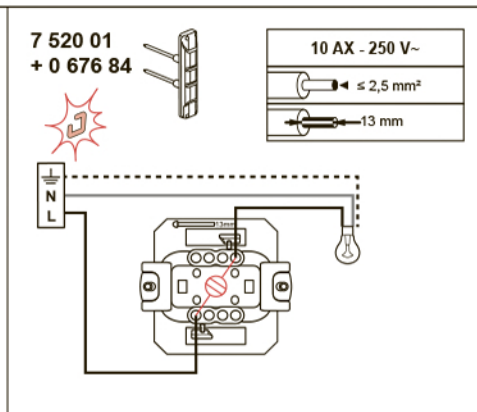
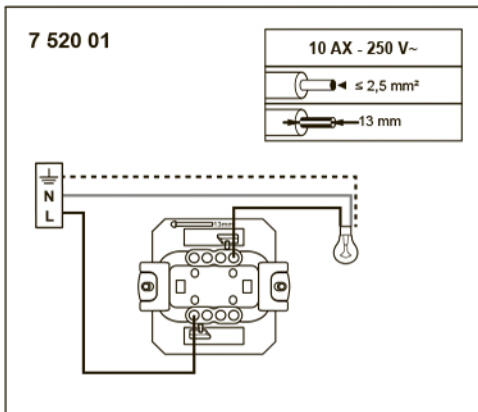
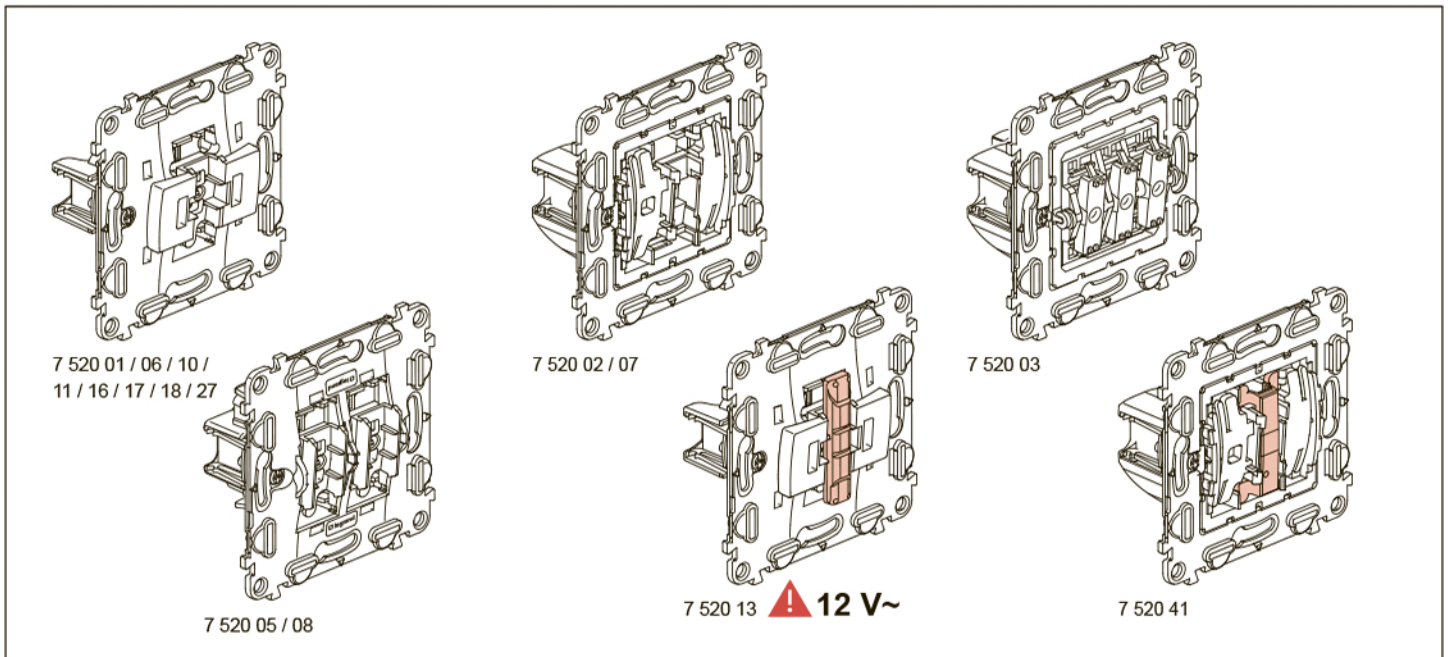
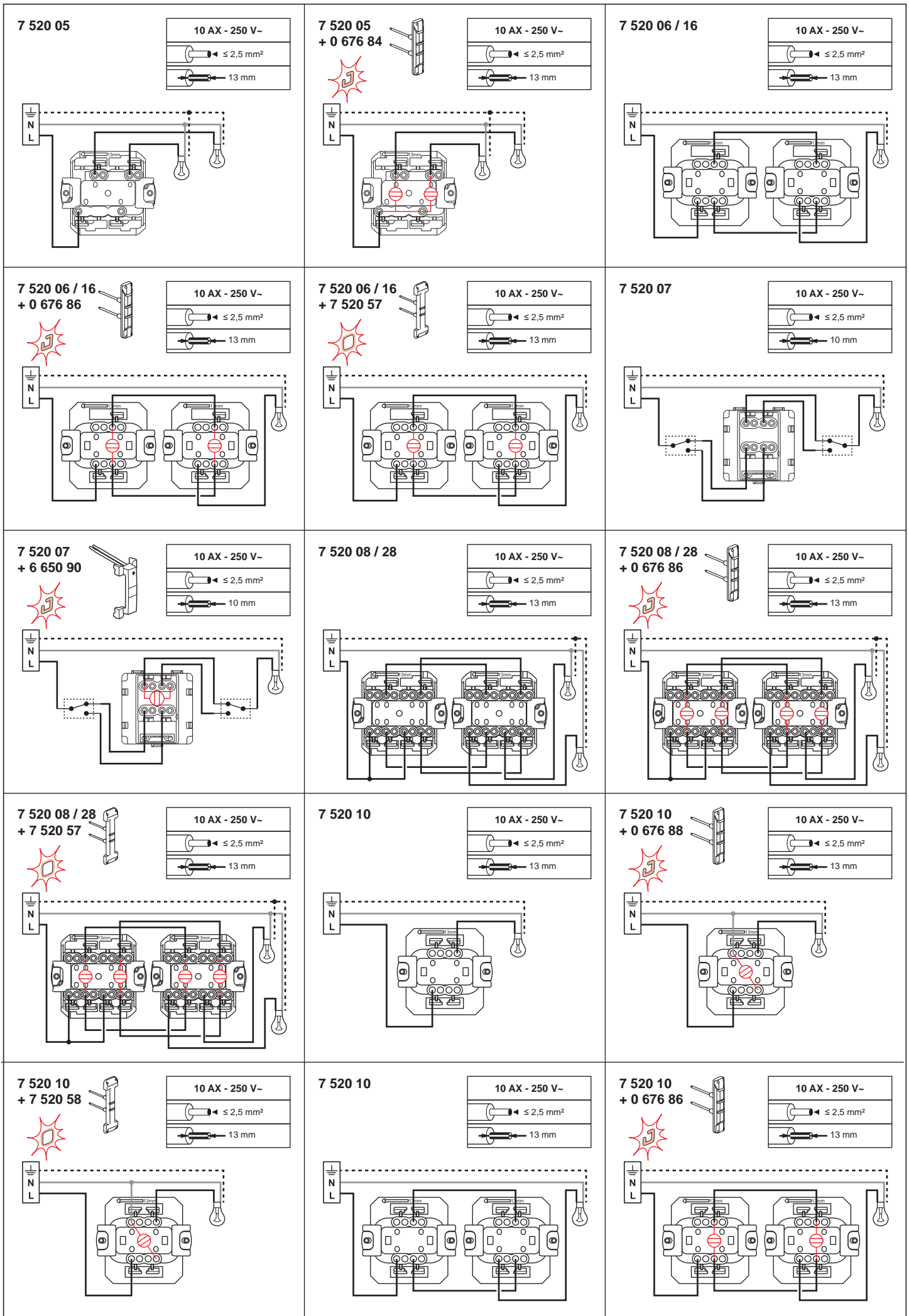
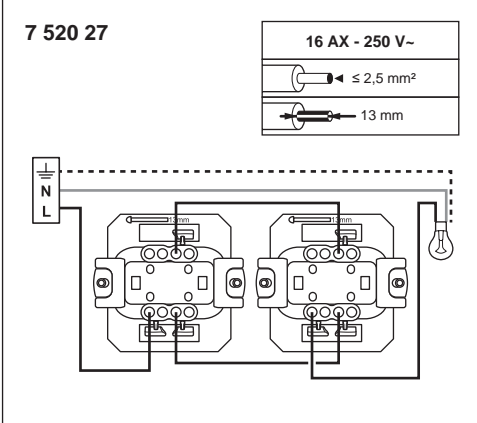
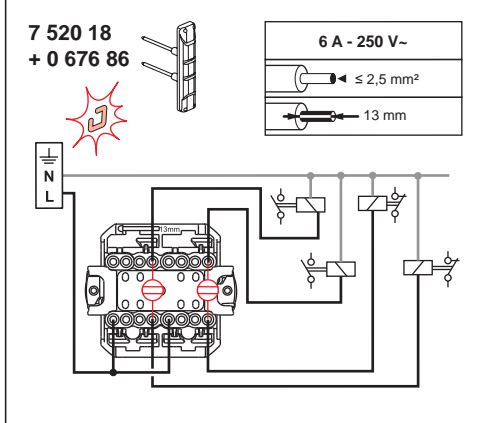
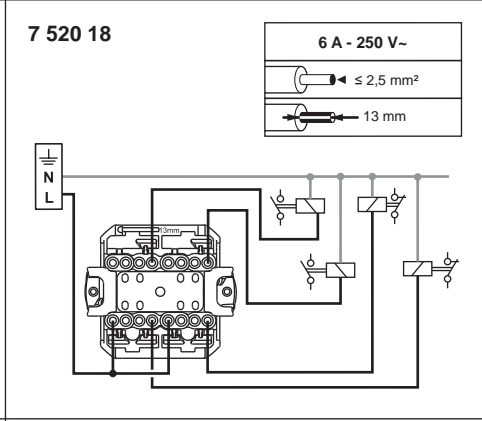
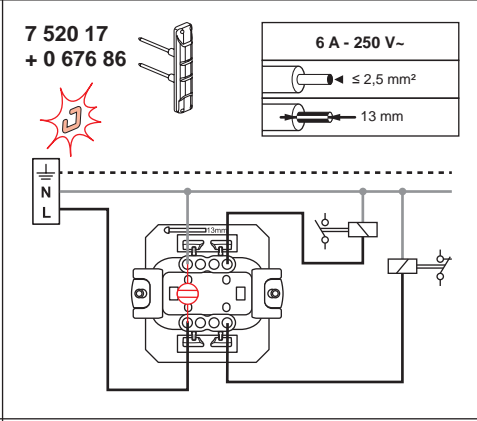
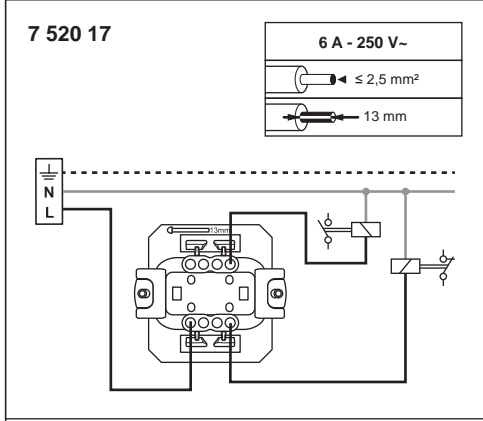
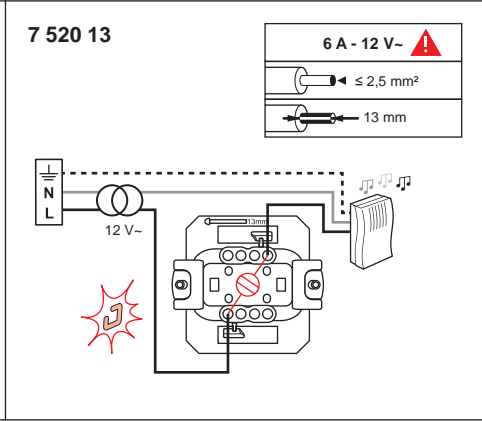
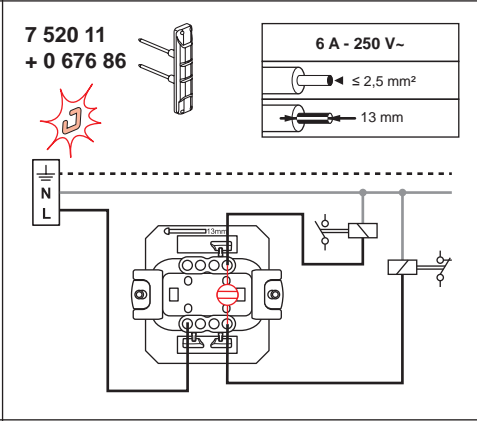
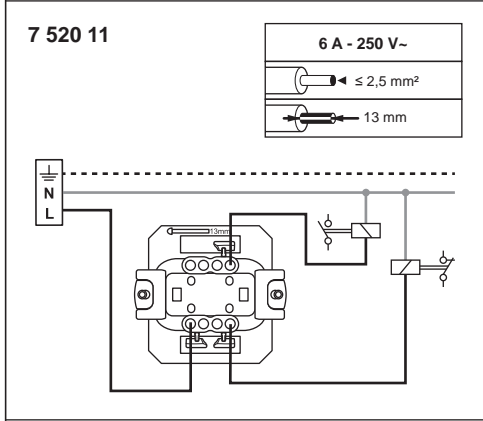
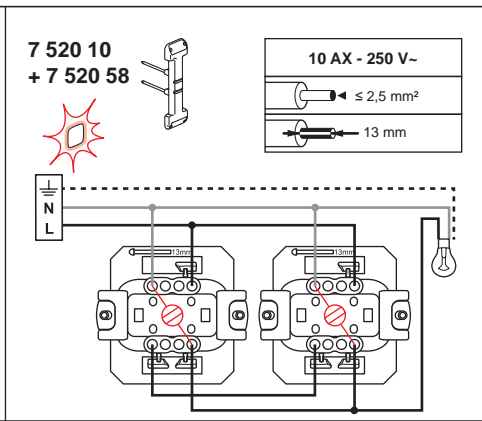
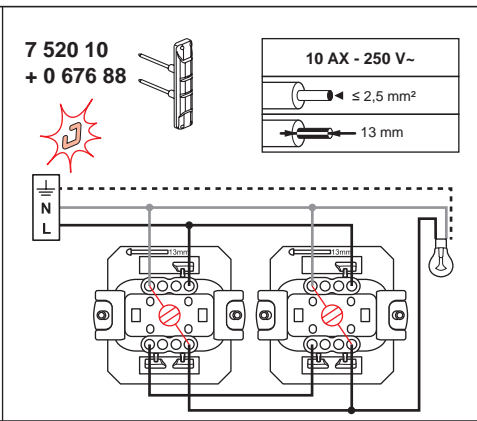
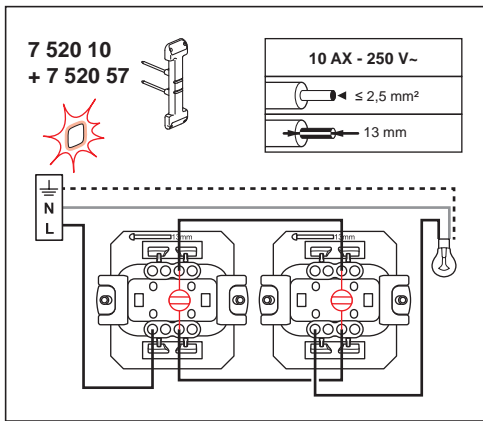


| | | | |
|---------------|---------------|-------|-------------------------------|
| | | | |
| 0°C ... +35°C | 0°C ... +35°C | 40 mm | 10 / 13 mm 1...2,5...4 mm² |

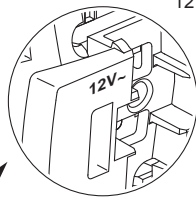
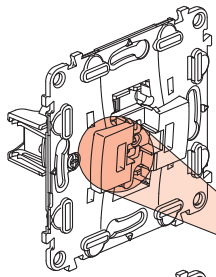




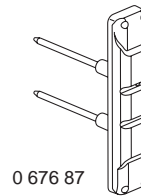




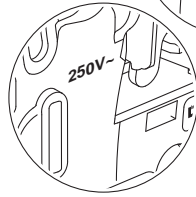
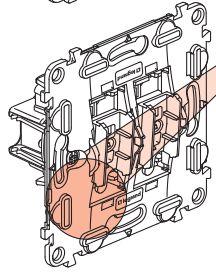
12 - 48 V~ ~~250 V~~~



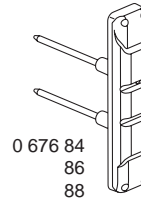
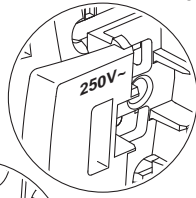
12 - 48 V~



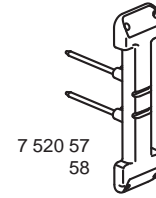
0 676 87



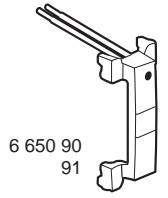
250 V~



0 676 84
86
88



7 520 57
58



6 650 90
91

| | 0 676 84 | 0 676 86 | 0 676 87 | 0 676 88 | 6 650 90 | 6 650 91 | 7 520 57 | 7 520 58 |
|---------------|----------|----------|----------|----------|----------|----------|----------|----------|
| 7 520 01 | ✓ | — | — | — | — | ✓ | — | — |
| 7 520 02 | — | — | — | — | — | — | — | — |
| 7 520 03 | — | — | — | — | — | — | — | — |
| 7 520 05 | ✓ | — | — | — | — | — | — | — |
| 7 520 06 / 16 | — | ✓ | — | — | — | — | ✓ | — |
| 7 520 07 | — | — | — | — | ✓ | — | — | — |
| 7 520 08 / 28 | — | ✓ | — | — | — | — | ✓ | — |
| 7 520 10 | — | ✓ | — | ✓ | — | — | ✓ | ✓ |
| 7 520 11 | — | ✓ | — | — | — | — | — | — |
| 7 520 13 | — | — | ✓ | — | — | — | — | — |
| 7 520 17 | — | ✓ | — | — | — | — | — | — |
| 7 520 18 | — | ✓ | — | — | — | — | — | — |
| 7 520 27 | — | — | — | — | — | — | — | — |
| 7 520 41 | — | — | — | — | — | ✓ | — | — |